



More information on the website  
[radwag.com/en/info,w1,8WO](http://radwag.com/en/info,w1,8WO)

WLC 6.X7 Precision Balance



WLC 6.X7 Precision Balance

The drawings, photos and graphics used are for illustrative purposes only.

## Functions



Autotest



Dosing



Percent Weighing



Parts counting



Peak hold



Formulation



Newton unit measurement



Statistics



Checkweighing



IR sensors



Under-pan weighing



GLP Procedures



Animal weighing



Density determination



Ambient conditions monitoring



Replaceable unit



Statistical Quality Control



ALIBI Memory



Mass for titrator



Wi-Fi

# Datasheet

	WLC 6.X7 Precision Balance
<b>Metrological parameters</b>	
<b>Maximum capacity [Max]</b>	6 kg
<b>Readability [d]</b>	0,1 g
<b>Verification unit [e]</b>	-
<b>Tare range</b>	-6 kg
<b>Repeatability</b>	0,1 g
<b>Linearity</b>	±0,3 g
<b>Stabilization time</b>	2 s
<b>Adjustment</b>	internal (automatic)
<b>Physical parameters</b>	
<b>Leveling system</b>	manual
<b>Display</b>	7" graphic colour touchscreen
<b>Weighing pan dimensions</b>	195×195 mm
<b>Packaging dimensions</b>	430×270×190 mm
<b>Net weight</b>	2,2 kg
<b>Gross weight</b>	4 kg
<b>Construction</b>	
<b>Protection class</b>	IP 43
<b>Components and software</b>	
<b>Database capacity</b>	7
<b>Communication interface</b>	
<b>Communication interface</b>	2×RS232 <sup>1</sup> , USB-A, USB-B, Ethernet, Wi-Fi
<b>Electrical parameters</b>	
<b>Power supply</b>	Adapter: 100 – 240V AC 50/60Hz 0,6A; 12V DC 1,2A Balance: 10 – 15VDC 0,6A max
<b>Environmental conditions</b>	
<b>Operating temperature</b>	+10 ÷ +40 °C

Repeatability is expressed as a standard deviation from 10 weighing cycles. Stabilization time depends on the ambient conditions and the dynamics of weighing pan loading; specified for FAST profile. 1 Barcode scanners, available as weighing instrument accessory, communicate with the instrument via RS232 interface exclusively.

\* Wi-Fi® is a registered trademark of Wi-Fi® Alliance.



## Accessories

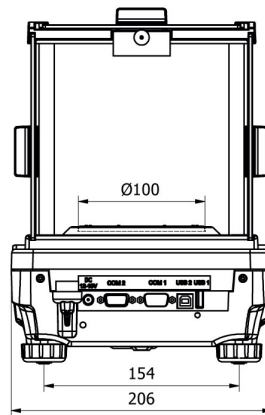
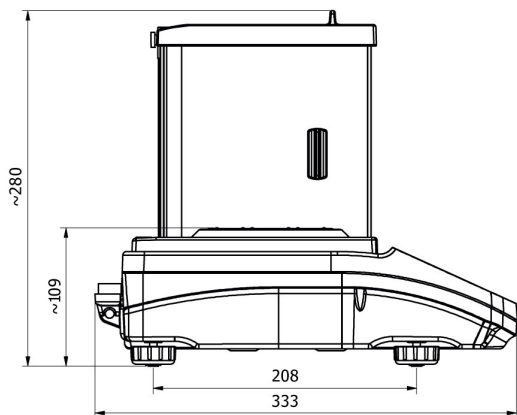
Balance Storage Case  
Antivibration Tables  
Power Adapters  
RS 232 cables (scale - printer)  
Cigarette lighter receptacle power supply cables  
USB cable (scale - printer)  
Barcode scanners  
Under-pan weighing

RS 232, RS 485 cables  
Density determination KIT  
Displays  
Receipt Printer  
RS 232, RS 485 cables  
Protective cover for balances  
RS 232 cables (scale - printer)  
RS 232 – RS 485 Converter

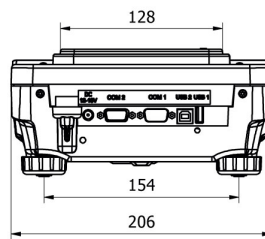
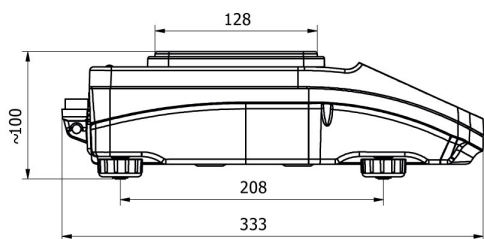
## Software

## Device dimensions

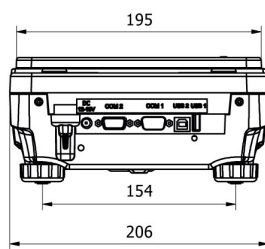
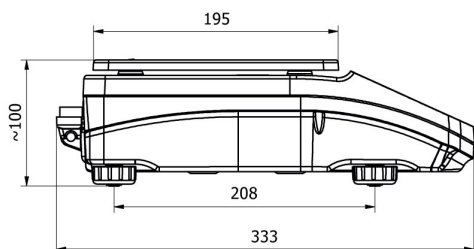
### WLC 6.X7 Precision Balance



WLC X2, d = 0.001 mg



WLC X2, d = 0.01 mg



WLC X2, d = 0.1 mg