



More information on the website
radwag.com/en/info,w1,WUH

WAY 500.5Y.KO Mass Comparator



The drawings, photos and graphics used are for illustrative purposes only.

Datasheet

Metrological parameters	
E1	200 g ÷ 500 g
E2	10 g ÷ 500 g
F1	500 mg ÷ 500 g
F2	1 mg ÷ 500 g
M1	1 mg ÷ 500 g
M2	1 mg ÷ 500 g
Maximum capacity [Max]	520 g
Readability [d]	0,01 mg
Standard repeatability [5% Max]	0,012 mg
Standard repeatability [Max]	0,02 mg
Permissible repeatability	0,035 mg
Eccentricity (tested load)	1d / 1 mm
Electric compensation range	-10 g ÷ +20 g
Stabilization time	30 s
Adjustment	external

Physical parameters	
Display	10" touchscreen
Weighing pan dimensions	ø50 mm
Weighing device dimensions	385×215×525 mm
Controlling device dimensions	249×170×72 mm
Anti-draft chamber dimensions	560×300×665 mm
Packaging dimensions	860×800×550 mm
Chamber packaging size	820×850×630 mm
Net weight	37,5 kg
Gross weight	57,5 kg
Supplementary weights internal	half automatic
Supplementary weights external	30 g, 2× 10 g

Communication interface	
Communication interface	USB-A x2, USB-C, HDMI, Ethernet, Wi-Fi, Hotspot

Environmental conditions	
Operating temperature	+15 ÷ +30 °C
Operating temperature change rate	±0,5°C/12h (±0,3°C/4h)
Relative humidity	40% ÷ 60%
Relative humidity change rate	± 3 % / 4 h

Repeatability is expressed as a standard deviation determined for 6 ABBA cycles. Standard deviation is experimentally determined under ambient conditions for calibration of E1 class mass standards specified in OIML R111 (Table C.1.) document.

* Wi-Fi® is a registered trademark of Wi-Fi® Alliance.



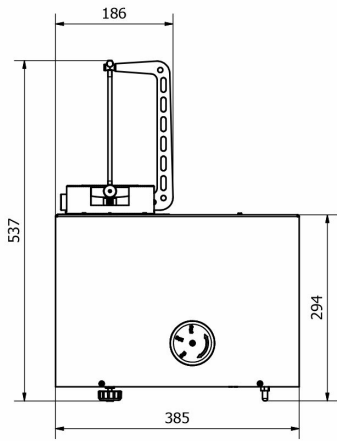
Accessories

Suspended Self-Centring Weighing Pan for WAY 4Y.KO Manual Mass Comparator	Label Printers
Antivibration Tables	THBR 2.0 System - Ambient Conditions Monitoring
Barcode scanners	Receipt Printer
Protective cover for balances	Fingerprint Reader
RS 232, RS 485 cables	RS 232 cables (scale - printer)

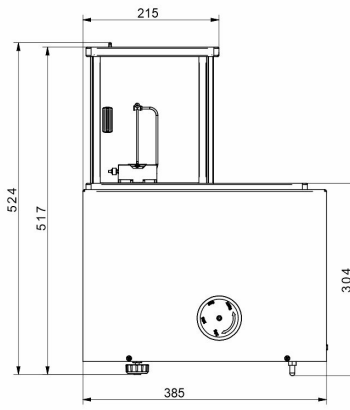
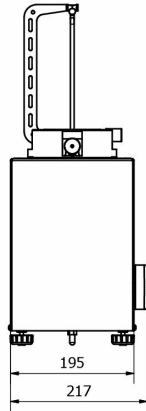
Software

RAD-KEY	RMCS System
THB-R	

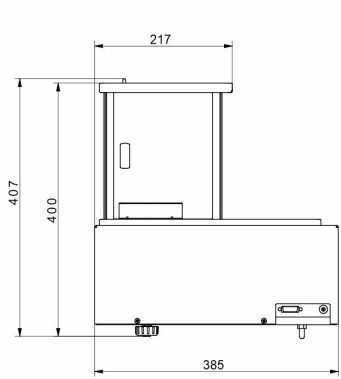
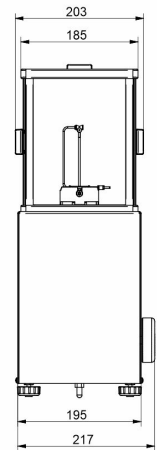
Device dimensions



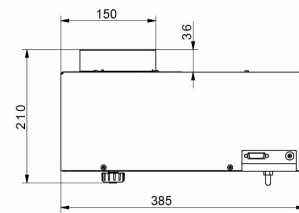
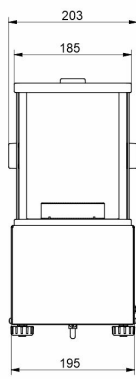
WAY 5.4Y.KO



WAY 100.4Y.KO



WAY 1200.4Y.KO



WAY 5100.4Y.KO

