



More information on the website  
[radwag.com/en/info,w1,303](http://radwag.com/en/info,w1,303)

# WAY 2.5Y.KO Mass Comparator



The drawings, photos and graphics used are for illustrative purposes only.

## Datasheet

Metrological parameters	
E1	1 kg ÷ 2 kg
E2	500 g ÷ 2 kg
F1	100 g ÷ 2 kg
F2	10 g ÷ 2 kg
M1	1 g ÷ 2 kg
M2	1 g ÷ 2 kg
Maximum capacity [Max]	2,3 kg
Readability [d]	0,1 mg
Standard repeatability [5% Max]	0,08 mg
Standard repeatability [Max]	0,1 mg
Permissible repeatability	0,2 mg
Eccentricity (tested load)	0 mg*
Electric compensation range	-50 g ÷ +300 g
Stabilization time	20 s
Adjustment	external

Physical parameters	
Display	10" touchscreen
Weighing pan dimensions	ø70 mm
Weighing device dimensions	385×215×525 mm
Controlling device dimensions	249×170×72 mm
Anti-draft chamber dimensions	660×470×700 mm
Packaging dimensions	860×800×550 mm
Chamber packaging size	820×850×630 mm
Net weight	39,5 kg
Gross weight	59,5 kg
Supplementary weights internal	half automatic
Supplementary weights external	2× 100 g

Communication interface	
Communication interface	USB-A x2, USB-C, HDMI, Ethernet, Wi-Fi, Hotspot

Environmental conditions	
Operating temperature	+15 ÷ +30 °C
Operating temperature change rate	±0,5°C/12h (±0,3°C/4h)
Relative humidity	40% ÷ 60%
Relative humidity change rate	±3%/4h

Repeatability is expressed as a standard deviation determined for 6 ABBA cycles. Standard deviation is experimentally determined under ambient conditions for calibration of F2 class mass standards specified in OIML R111 (Table C.1.) document. Eccentricity (tested load) – suspended self-centring weighing pan (available as an option): 0 mg \* Eccentricity (tested load): 1 d / mm

\* Wi-Fi® is a registered trademark of Wi-Fi® Alliance.



## Accessories

Antivibration Tables  
Barcode scanners  
Protective cover for balances  
RS 232, RS 485 cables  
Label Printers

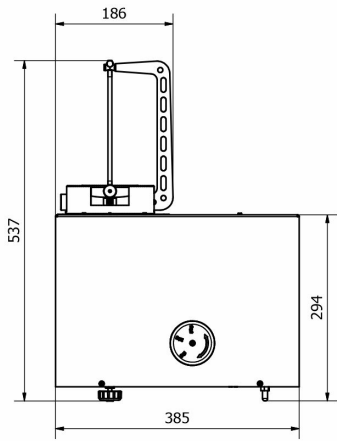
THBR 2.0 System - Ambient Conditions Monitoring  
Receipt Printer  
Suspended Self-Centring Weighing Pan for WAY 4Y.KO Manual Mass Comparator  
Fingerprint Reader  
RS 232 cables (scale - printer)

## Software

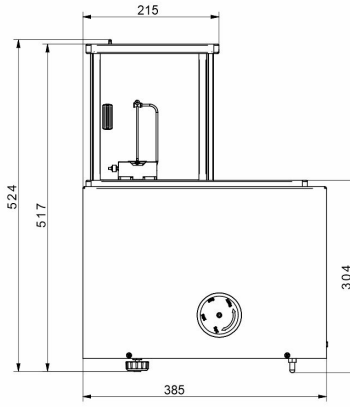
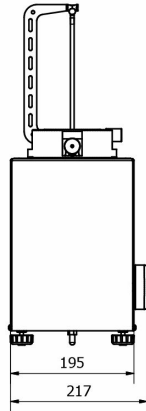
RAD-KEY  
THB-R

RMCS System

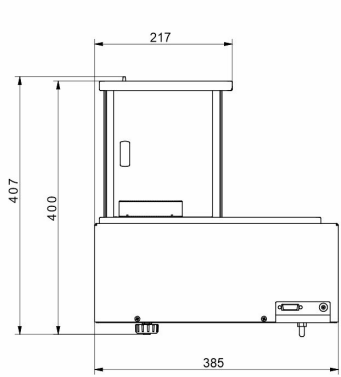
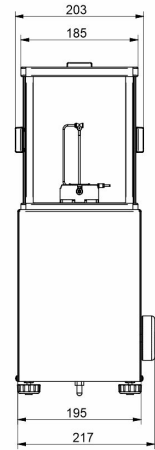
## Device dimensions



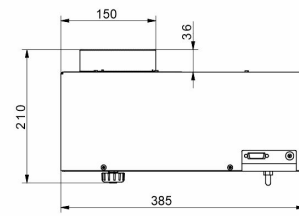
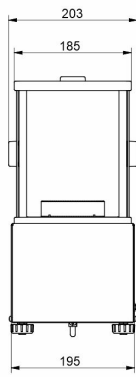
WAY 5.4Y.KO



WAY 100.4Y.KO



WAY 1200.4Y.KO



WAY 5100.4Y.KO