



More information on the website
radwag.com/en/info,w1,ZQA

WAY 200.5Y.KO Mass Comparator



The drawings, photos and graphics used are for illustrative purposes only.

Datasheet

| Metrological parameters | |
|---------------------------------|----------------|
| E1 | 5 g ÷ 200 g |
| E2 | 100 mg ÷ 200 g |
| F1 | 1 mg ÷ 200 g |
| F2 | 1 mg ÷ 200 g |
| M1 | 1 mg ÷ 200 g |
| M2 | 1 mg ÷ 200 g |
| Maximum capacity [Max] | 210 g |
| Readability [d] | 0,001 mg |
| Standard repeatability [5% Max] | 3 µg |
| Standard repeatability [Max] | 4 µg |
| Permissible repeatability | 6 µg |
| Eccentricity (tested load) | 0 mg* |
| Electric compensation range | -1 g ÷ +10 g |
| Stabilization time | 30 s |
| Adjustment | external |

| Physical parameters | |
|--------------------------------|-----------------|
| Display | 10" touchscreen |
| Weighing pan dimensions | ø40 mm |
| Weighing device dimensions | 385×217×525 mm |
| Controlling device dimensions | 249×170×72 mm |
| Anti-draft chamber dimensions | 560×565×340 mm |
| Packaging dimensions | 860×750×570 mm |
| Chamber packaging size | 860×830×840 mm |
| Net weight | 22,5 kg |
| Gross weight | 32,5 kg |
| Supplementary weights internal | half automatic |
| Supplementary weights external | 10 g |

| Communication interface | |
|-------------------------|---|
| Communication interface | USB-A x2, USB-C, HDMI, Ethernet, Wi-Fi, Hotspot |

| Environmental conditions | |
|-----------------------------------|------------------------|
| Operating temperature | +15 ÷ +30 °C |
| Operating temperature change rate | ±0,5°C/12h (±0,3°C/4h) |
| Relative humidity | 40% ÷ 60% |
| Relative humidity change rate | ± 3 % / 4 h |

Repeatability is expressed as a standard deviation determined for 6 ABBA cycles. Standard deviation is experimentally determined under ambient conditions for calibration of E1 class mass standards specified in OIML R111 (Table C.1.) document. Eccentricity (tested load) – suspended self-centring weighing pan (available as an option): 0 mg * Eccentricity (tested load): 1 d / mm

* Wi-Fi® is a registered trademark of Wi-Fi® Alliance.



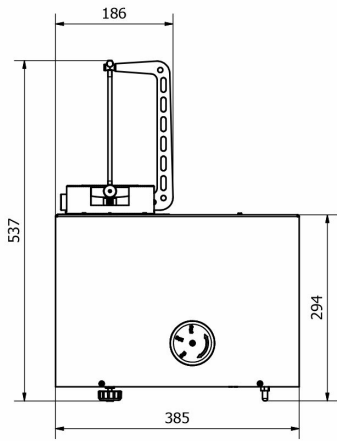
Accessories

| | |
|---|---|
| Antivibration Tables | Label Printers |
| Suspended Self-Centring Weighing Pan for WAY 4Y.KO Manual Mass Comparator | THBR 2.0 System - Ambient Conditions Monitoring Receipt Printer |
| Barcode scanners | Fingerprint Reader |
| Protective cover for balances | RS 232 cables (scale - printer) |
| RS 232, RS 485 cables | |

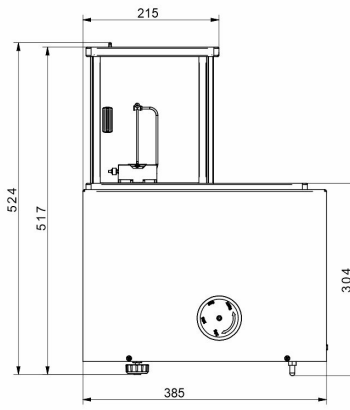
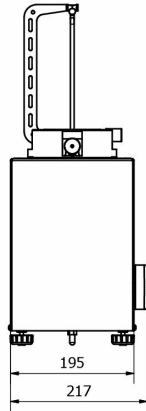
Software

| | |
|---------|-------------|
| RAD-KEY | RMCS System |
| THB-R | |

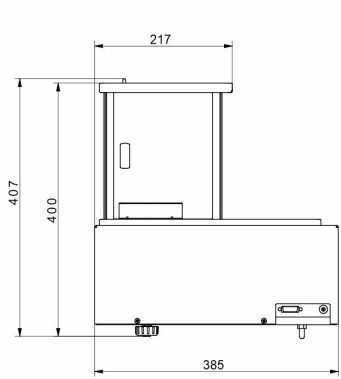
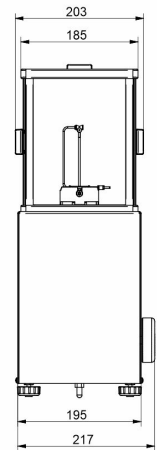
Device dimensions



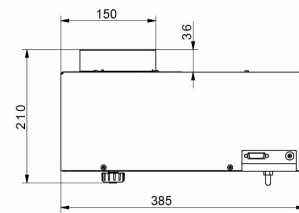
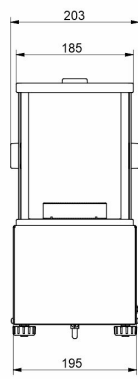
WAY 5.4Y.KO



WAY 100.4Y.KO



WAY 1200.4Y.KO



WAY 5100.4Y.KO