



More information on the website  
[radwag.com/en/info,w1,VIL](http://radwag.com/en/info,w1,VIL)

# WAY 1200.5Y.KO Mass Comparator



The drawings, photos and graphics used are for illustrative purposes only.

## Datasheet

Metrological parameters	
E1	-
E2	500 g ÷ 1 kg
F1	100 g ÷ 1 kg
F2	5 g ÷ 1 kg
M1	1 g ÷ 1 kg
M2	1 g ÷ 1 kg
Maximum capacity [Max]	1200 g
Readability [d]	0,1 mg
Standard repeatability [5% Max]	0,08 mg
Standard repeatability [Max]	0,1 mg
Permissible repeatability	0,2 mg
Eccentricity (tested load)	1d / 1 mm
Electric compensation range	0 g ÷ +1200 g
Stabilization time	10 s
Adjustment	external

Physical parameters	
Display	10" touchscreen
Weighing pan dimensions	ø80 mm
Weighing device dimensions	385×203×407 mm
Controlling device dimensions	249×170×72 mm
Anti-draft chamber dimensions	560×340×455 mm
Packaging dimensions	860×750×560 mm
Chamber packaging size	820×735×630 mm
Net weight	16 kg
Gross weight	31 kg
Supplementary weights internal	brak
Supplementary weights external	brak

Communication interface	
Communication interface	USB-A x2, USB-C, HDMI, Ethernet, Wi-Fi, Hotspot

Environmental conditions	
Operating temperature	+15 ÷ +30 °C
Operating temperature change rate	±0,5°C/12h (±0,3°C/4h)
Relative humidity	40% ÷ 60%
Relative humidity change rate	± 3 % / 4 h

Repeatability is expressed as a standard deviation determined for 6 ABBA cycles. Standard deviation is experimentally determined under ambient conditions for calibration of E1 class mass standards specified in OIML R111 (Table C.1.) document.

\* Wi-Fi® is a registered trademark of Wi-Fi® Alliance.



## Accessories

Antivibration Tables  
Barcode scanners  
Protective cover for balances  
RS 232, RS 485 cables  
Label Printers

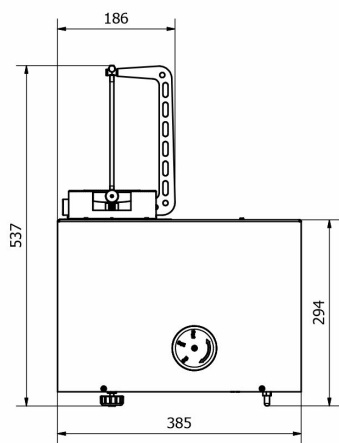
THBR 2.0 System - Ambient Conditions Monitoring  
Receipt Printer  
Fingerprint Reader  
RS 232 cables (scale - printer)

## Software

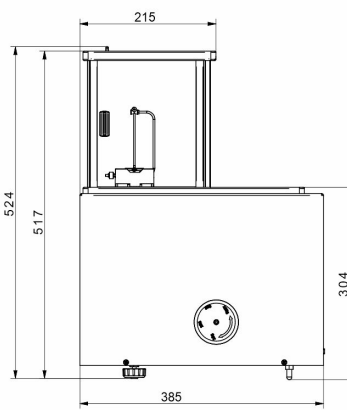
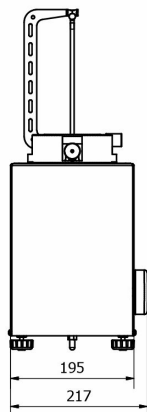
RAD-KEY  
THB-R

RMCS System

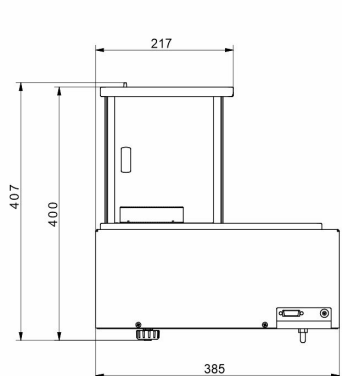
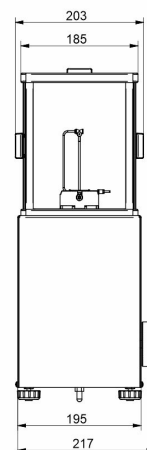
## Device dimensions



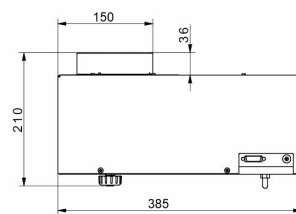
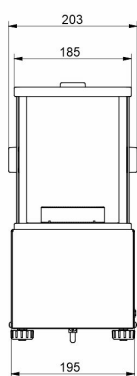
WAY 5.4Y.KO



WAY 100.4Y.KO



WAY 1200.4Y.KO



WAY 5100.4Y.KO