



More information on the website  
[radwag.com/en/info,w1,0TW](http://radwag.com/en/info,w1,0TW)

### PS 10100.R2.M Precision Balance



PS 10100.R2.M Precision Balance

The drawings, photos and graphics used are for illustrative purposes only.

## Functions



Autotest



Dosing



Percent Weighing



Totalizing



Parts counting



Peak hold



Newton unit  
measurement



Statistics



Checkweighing



GLP Procedures



Animal weighing



Density determination

# Datasheet

	PS 10100.R2.M Precision Balance
<b>Metrological parameters</b>	
Maximum capacity [Max]	10100 g
Minimum load	-
Readability [d]	10 mg
Verification unit [e]	-
Tare range	-10100 g
Standard repeatability [5% Max]	8 mg
Standard repeatability [Max]	12 mg
Standard minimum weight (USP)	10 g
Standard minimum weight (U=1%, k=2)	1 g
Linearity	±20 mg
Stabilization time	1,5 s
Adjustment	internal (automatic)
OIML Class	-
<b>Physical parameters</b>	
Leveling system	manual
Display	LCD (backlit)
Delivery components	Balance, weighing pan, weighing pan shield, power supply
Weighing pan dimensions	195×195 mm
Device dimensions	333x206x107 mm
Packaging dimensions	475×380×345 mm
Net weight	4,5 kg
Gross weight	5,5 kg
<b>Construction</b>	
Protection class	IP 43
<b>Communication interface</b>	
Communication interface	2×RS232 <sup>1</sup> , USB-A, USB-B, Wi-Fi (option)
<b>Electrical parameters</b>	
Power supply	Adapter: 100 – 240V AC 50/60Hz 0,6A; 12V DC 1,2A Balance: 12 – 15V DC 0,4A max
Power consumption	4 W
<b>Environmental conditions</b>	
Operating temperature	+10 ÷ +40 °C
Storage temperature	-20 ÷ +50 °C

Repeatability is expressed as a standard deviation from 10 weighing cycles. Stabilization time depends on the ambient conditions and the dynamics of weighing pan loading; specified for FAST profile. 1 Barcode scanners, available as weighing instrument accessory, communicate with the instrument via RS232 interface exclusively.

\* Wi-Fi® is a registered trademark of Wi-Fi® Alliance.



## Accessories

Balance Storage Case  
Antivibration Tables

Displays  
Density determination KIT

Power Adapters  
 Cigarette lighter receptacle power supply cables  
 USB cable (scale - printer)  
 Barcode scanners  
 RS 232, RS 485 cables

Protective cover for balances  
 Receipt Printer  
 RS 232, RS 485 cables  
 Under-pan weighing  
 RS 232 cables (scale - printer)

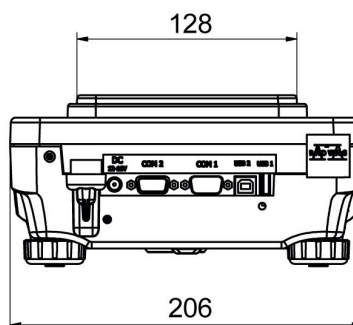
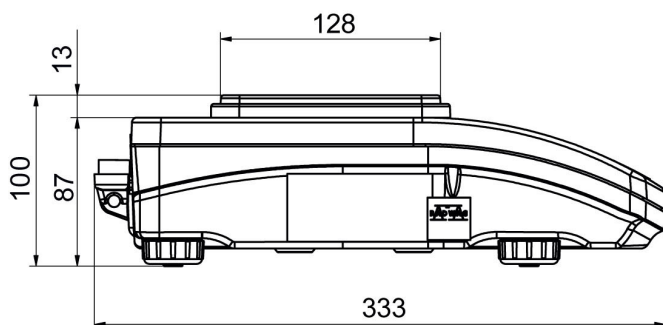
## Software

RAD-KEY  
 Alibi Reader  
 RADWAG Development Studio

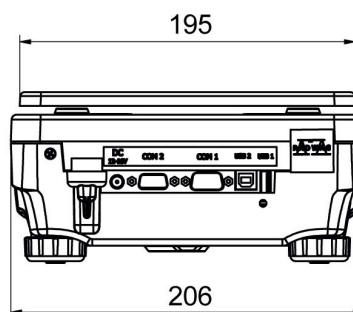
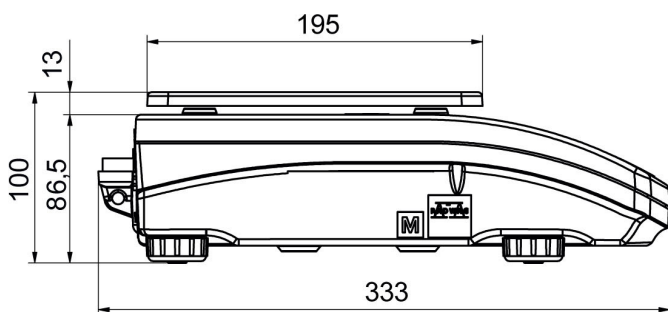
R Panel  
 R-LAB

## Device dimensions

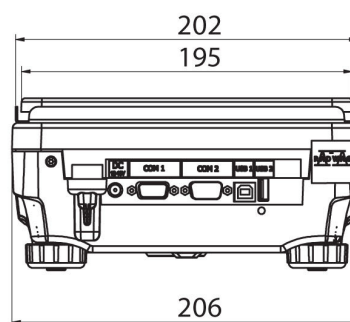
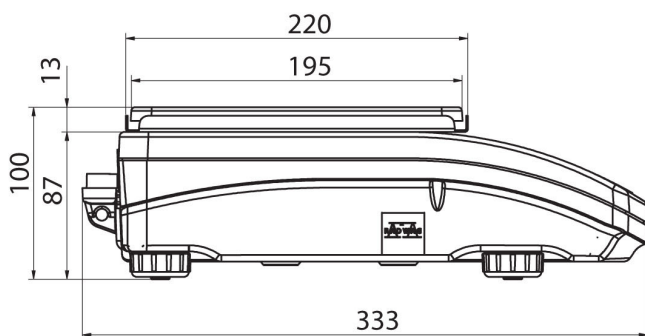
PS 10100.R2.M Precision Balance



PS R, d = 1mg



PS R, d = 10 mg



PS R.M, d = 10 mg