



PS 1000.R1 Precision Balance, PS 6100.R1.M Precision Balance

More information on the website
radwag.com/en/info,w1,COP



PS 1000.R1 Precision Balance



PS 6100.R1.M Precision Balance

The drawings, photos and graphics used are for illustrative purposes only.

Functions



Autotest



Dosing



Percent Weighing



Totalizing



Parts counting



Peak hold



Newton unit measurement



Statistics



Checkweighing



GLP Procedures



Animal weighing



Density determination

Datasheet

	PS 1000.R1 Precision Balance	PS 6100.R1.M Precision Balance
Metrological parameters		
Maximum capacity [Max]	1000 g	6100 g
Minimum load	20 mg	0,5 g
Readability [d]	0,001 g	0,01 g
Tare range	-1000 g	-6100 g
Repeatability (Max)	0,0015 g	0,008 g
Repeatability (5% Max)	0,0005 g	0,005 g
Linearity	±0,003 g	±0,03 g
Stabilization time	2 s	1,5 s
Adjustment	external	external
Physical parameters		
Leveling system	manual	manual
Display	LCD (backlit)	LCD (backlit)
Delivery components	Balance, weighing pan, weighing pan shield, grounding bumper x1, bumper x3, power supply.	Balance, weighing pan, weighing pan shield, power supply
Weighing pan dimensions	128x128 mm	195x195 mm
Device dimensions		333x206x107 mm
Packaging dimensions	475x380x345 mm	475x380x345 mm
Net weight	3,2 kg	4,5 kg
Gross weight	4,5 kg	5,5 kg
Construction		
Protection class	IP 43	IP 43
Communication interface		
Communication interface	2xRS232 ¹ , USB-A, USB-B, Wi-Fi (option)	2xRS232 ¹ , USB-A, USB-B, Wi-Fi (option)
Electrical parameters		
Power supply	Adapter: 100 – 240V AC 50/60Hz 0,6A; 12V DC 1,2A Balance: 12 – 15V DC 0,4A max	Adapter: 100 – 240V AC 50/60Hz 0,6A; 12V DC 1,2A Balance: 12 – 15V DC 0,4A max
Power consumption	4 W	4 W
Environmental conditions		
Operating temperature	+10 ÷ +40 °C	+10 ÷ +40 °C
Storage temperature	–	-20 ÷ +50 °C

Repeatability is expressed as a standard deviation from 10 weighing cycles. Stabilization time depends on the ambient conditions and the dynamics of weighing pan loading; specified for FAST profile. 1 Barcode scanners, available as weighing instrument accessory, communicate with the instrument via RS232 interface exclusively.

* Wi-Fi® is a registered trademark of Wi-Fi® Alliance.



Accessories

Balance Storage Case
Antivibration Tables
Power Adapters
Cigarette lighter receptacle power supply cables
USB cable (scale - printer)

RS 232, RS 485 cables
Displays
Draft Shield
Protective cover for balances
Receipt Printer

Density determination KIT
Barcode scanners
Anti-Draft Chamber for Balances with a 128×128 mm Weighing Pan

RS 232, RS 485 cables
Under-pan weighing
RS 232 cables (scale - printer)

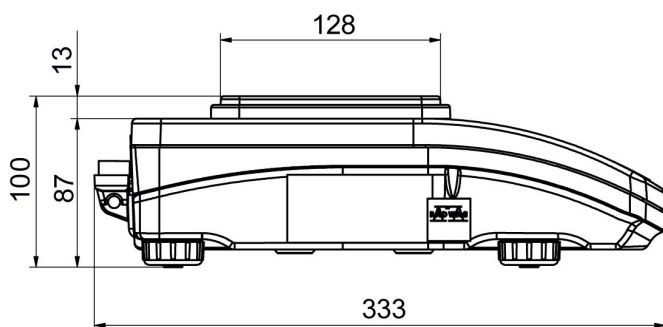
Software

RAD-KEY
Alibi Reader
RADWAG Development Studio

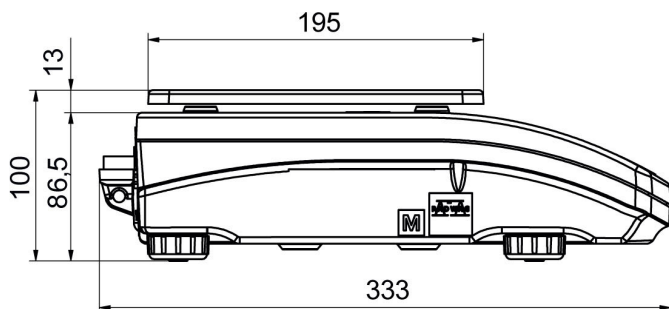
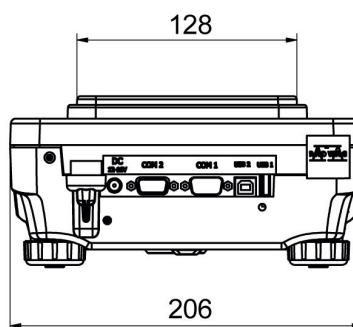
R Panel
R-LAB

Device dimensions

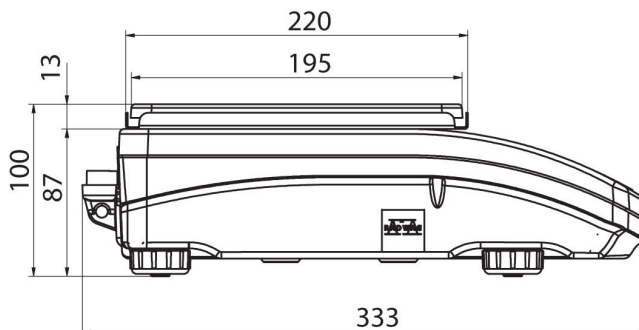
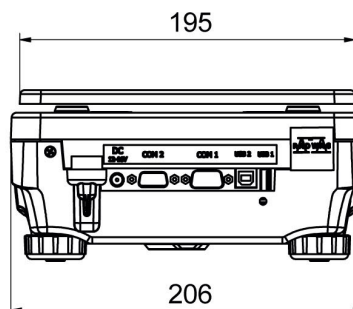
PS 1000.R1 Precision Balance, PS 6100.R1.M Precision Balance



PS R, d = 1 mg



PS R, d = 10 mg



PS R.M, d = 10 mg

