

# LEC Weigh Module

For Ring Type Load Cells



## Applications



Explosive  
Atmospheres



Tank, Bunker,  
Silo Weighing



Industrial  
Processes

## Key Features

- Low module height
- High weighing accuracy
- Capacities from 1t to 33t
- Ability of mounting without load cell
- Easy and practical load cell replacement
- Integrated lift-off protection
- FlexROD against strong lateral forces
- Painted, galvanized and 304/316 stainless steel models

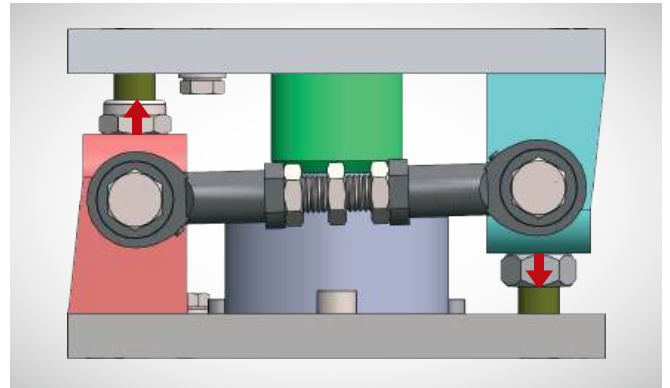
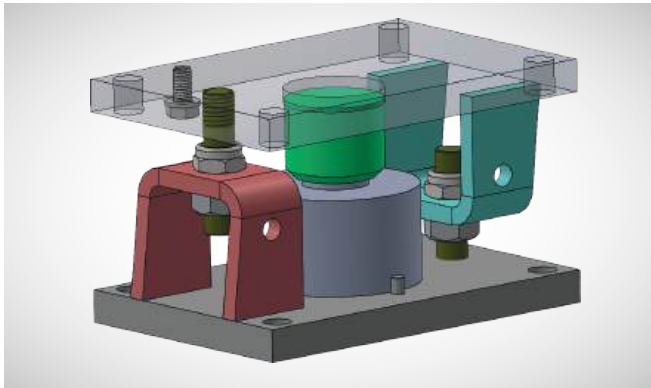
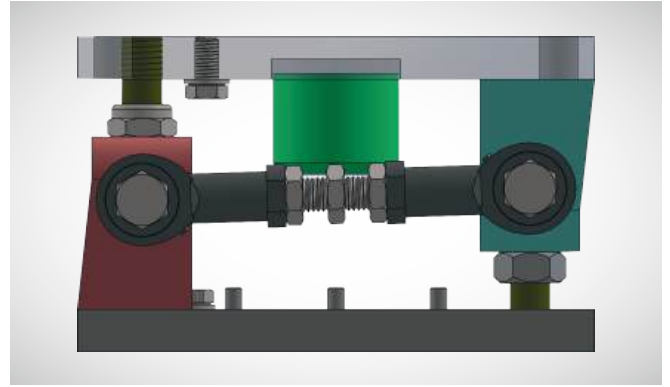
The LEC Weigh Module is specifically designed for tank, reactor, silo and conveyor scales. It is a low height module used with BR110/110S ring type load cells. LEC Module offers installation without load cell which eliminates the risk of damage of the load cell during assembly and welding operations. In case of loadcell failure, it provides easy and quick loadcell replacement. It can be used safely against lateral forces with FlexROD joint connection.

Studs on both sides of the module are secured with lift-off protection and locking nuts, allowing the LEC weigh module to be mounted without load cells. After mounting, the load cells are easily inserted from the front and the locking nuts are loosened into their correct position. The LEC module is available in static painted, galvanized and 304/316 stainless steel.

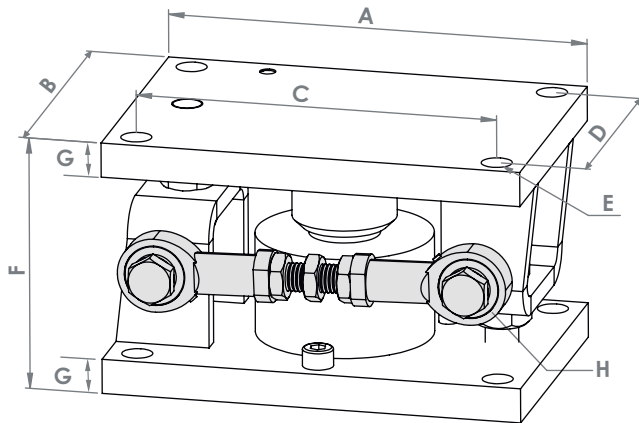
## Installation without load cell Easy load cell replacement

The LEC Weigh Module can be mounted without the load cell by locking the studs on both sides with fixing and lifting nuts. After assembly, the load cell is inserted from the front side and the weighing system is activated by loosening the fixing nuts a few turns.

The FlexROD joint connection ensures safe operation against strong lateral forces.



### Dimensions (mm)



LEC110	4.7-22t	33t
A	180	200
B	120	140
C	155	175
D	98	115
E	ø13	ø15
F	110 <sup>+2</sup> <sub>-5</sub>	125 <sup>+2</sup> <sub>-5</sub>
G	15	20
H	M12	M12

### Load cells compatible with LEC Weigh Modules

Capacities: 4700 ~ 33000 kg	
Brand	Model
Baykon	BR110 / BR110S
Vishay	RLC