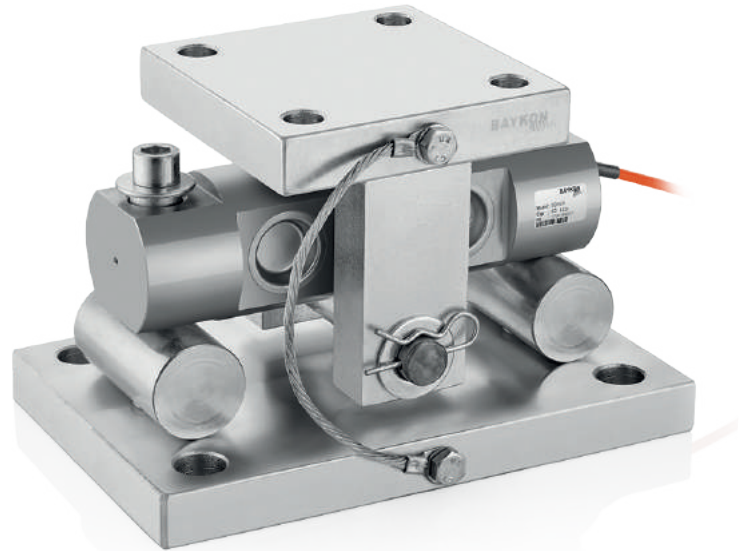


# LAD420 Weigh Module

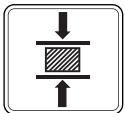
For Double Ended Type Load Cells



## Applications



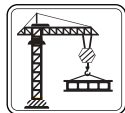
Tank & Silo



Testing  
Machines



Industrial  
Processes



High Capacity  
Applications

## Key Features

- Capacity range: 50-100 Kib (LAD420)
- Easy to install and maintain
- Easy and fast load cell replacement
- Lift-off protection for extra safety
- Eliminates the need for tie rods
- Standard galvanized steel
- Optional painted steel or stainless steel

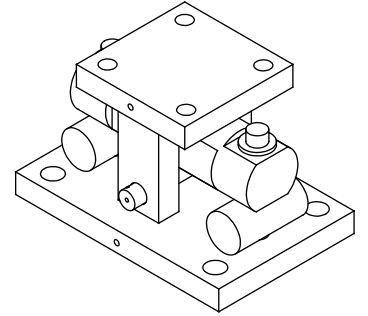
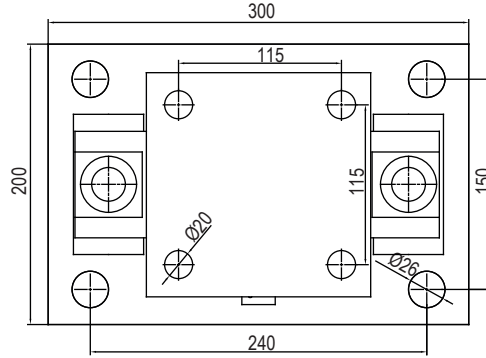
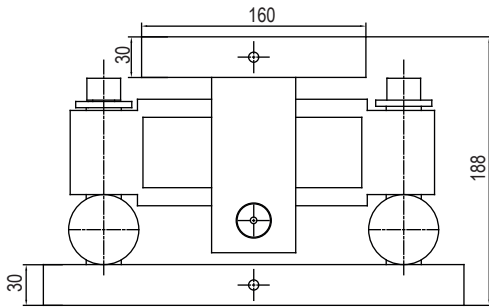
Model LAD420 weigh module is designed for BD420 type double ended beam load cells. The rugged self-checking module allows thermal expansion and contraction of vessels due to sunlight exposure or internal vessel reactions. It is perfect solution for tank / silo weighing systems.

It is designed to support a uniformly distributed load and will allow tilt in any direction up to a maximum of +/- 3°.

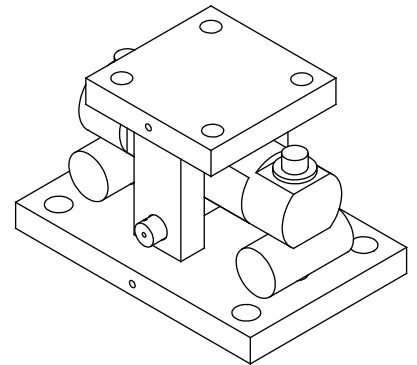
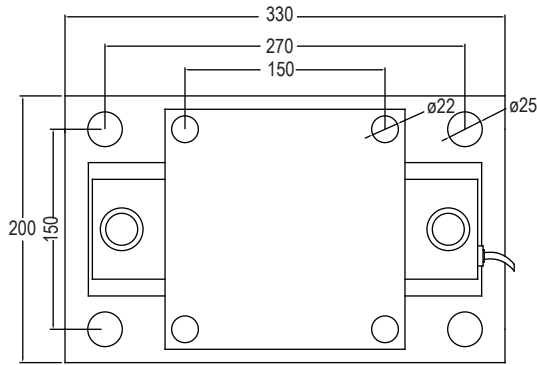
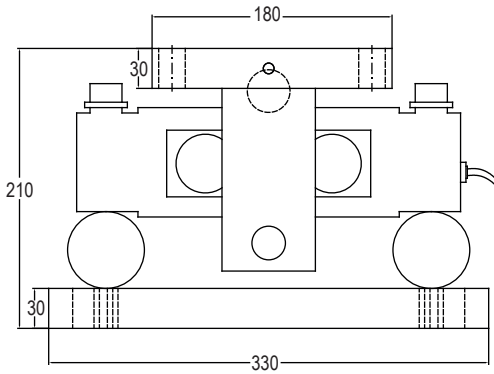
# Technical Specifications

## Dimensions (mm)

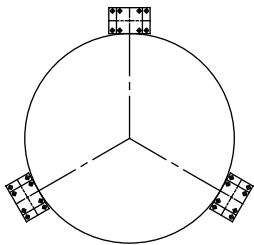
### LAD420 50-70 klb



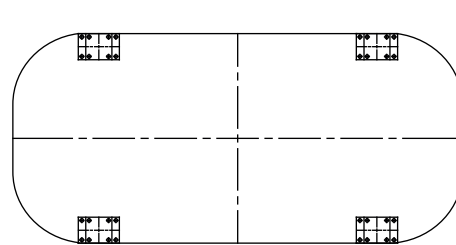
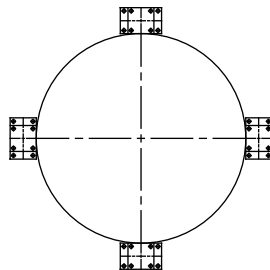
### LAD420 100 klb



## Application



Circular Mounting



Rectangular or Square Mounting

