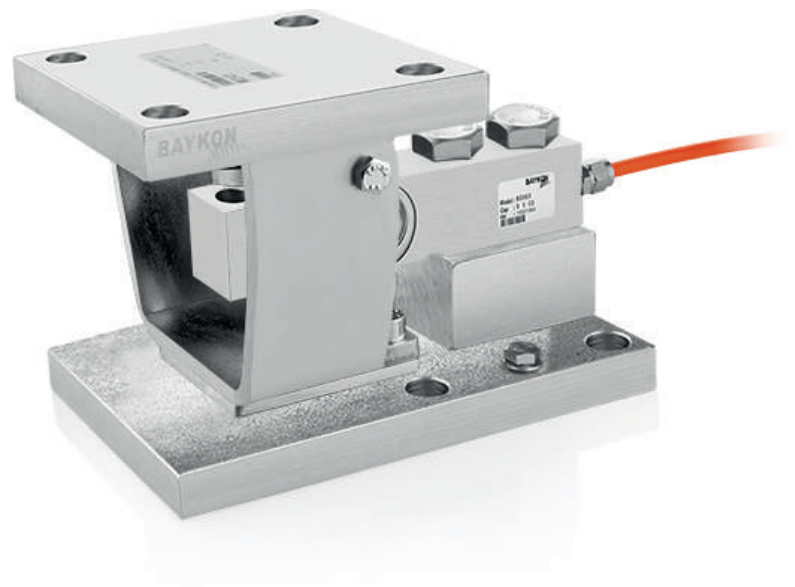


# LEB/RB Weigh Modules

For Beam Type Load Cell



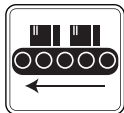
## Applications



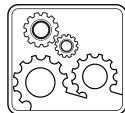
Tank & Silo



Floor Scales



Conveyor Scales



Industrial Processes

## Key Features

- Installation without load cell,
- Easy load cell replacement,
- Capacities from 100 kg up to 5000 kg,
- Integrated lift-up protection,
- High impact strength,
- Painted, galvanized and stainless steel models,
- PVC coated model for highly corrosive acidic environments.

Baykon LEB/RB Weighing Module is a module with high impact resistance for tank, silo, reactor, conveyor and platform scales.

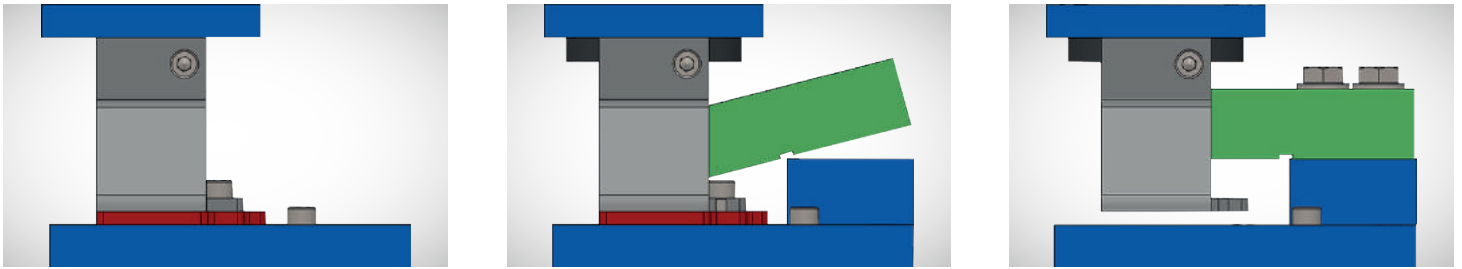
The LEB/RB Weigh Module can be installed without a load cell. In this way, there is no risk of damage to the load cell during assembly and welding processes. Defective load cell can be replaced easily and quickly. It can be used in tanks with low speed mixer. It is in a structure with an obstacle to lift against the risk of overturning.

Painted, galvanized and stainless steel models and PVC coated models are available for extremely corrosive acidic environments.

**BAYKON**  
Industrial Weighing Systems

# Installation Without Load Cell

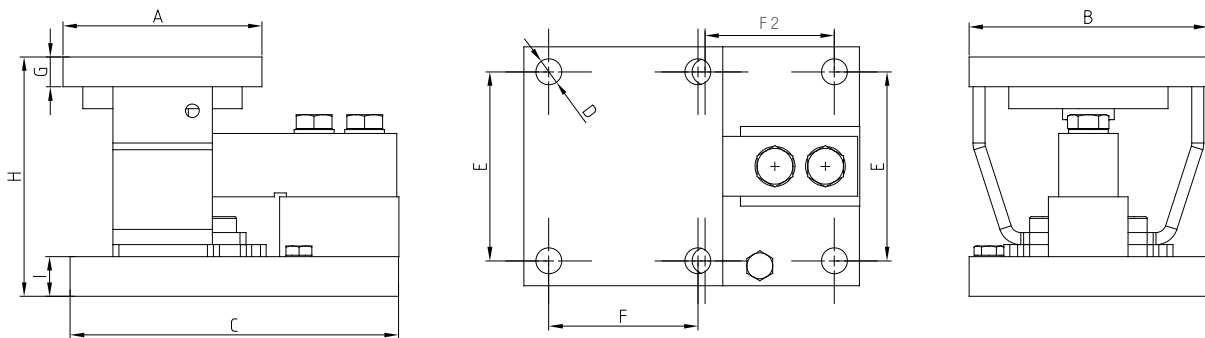
## Easy Load Cell Replacement



Thanks to support plates enable installation without load cell. Load cell can be replaced easily without disassembling the module. Support plates are removed up to operate as lift-up parts.

## Technical Specifications

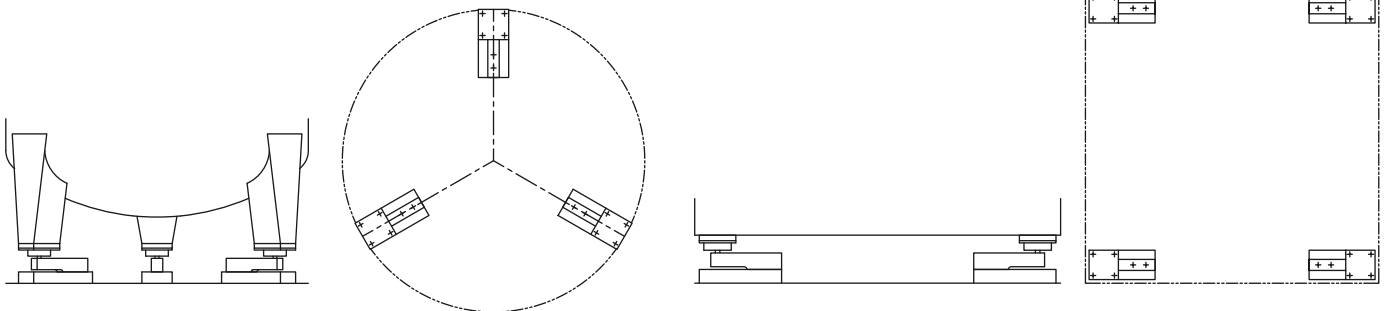
### Dimensions (mm)



	A	B	C	D	E	F	F2	G	H	I
LEB RB 2	100	120	165	∅13	95	75	65	15	120±3	20
LEB RB 5 / 5L	140	150	220	∅17	120	110	90	20	151±1	20

Tank weighing system with 3 load cells

Platform scale with 4 load cells



### Load cells compatible with LAB Weigh Modules

Capacities: 100kg ~ 5000kg	
Brand	Model
Baykon	BS063 / BS063S / BS063SD
Flintec	SLB, SB14, SB4, SB5
Vishay	3410, 3510, 3420