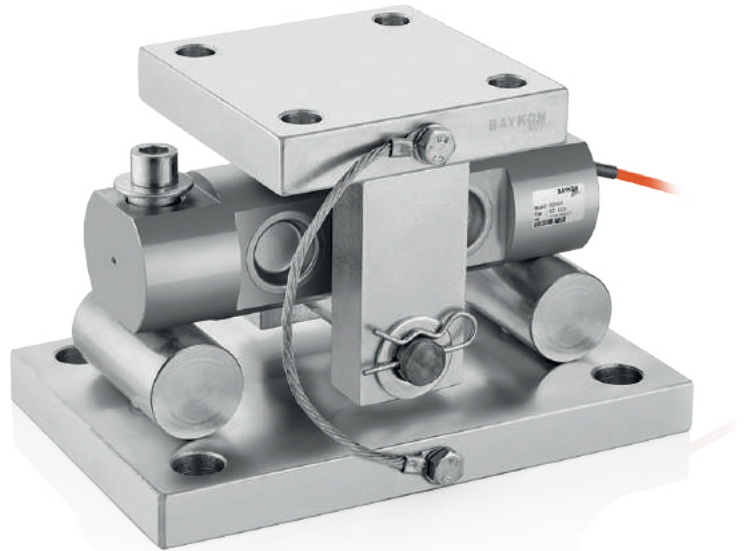


LAD420 Weigh Module

For Double Ended Type Load Cells



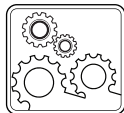
Applications



Explosive
Atmospheres



Tank, Bunker,
Silo Weighing



Industrial
Processes

Key Features

- Capacity range: 50-100 Kib (LAD420)
- Easy to install and maintain
- Easy and fast load cell replacement
- Lift-off protection for extra safety
- Eliminates the need for tie rods
- Standard galvanized steel
- Optional painted steel or stainless steel

Model LAD420 weigh module is designed for BD420 type double ended beam load cells. The rugged self-checking module allows thermal expansion and contraction of vessels due to sunlight exposure or internal vessel reactions. It is perfect solution for tank / silo weighing systems.

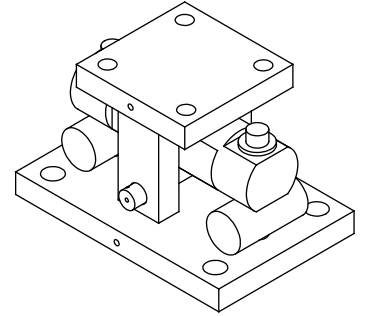
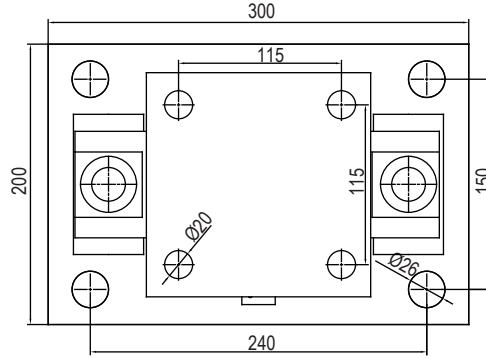
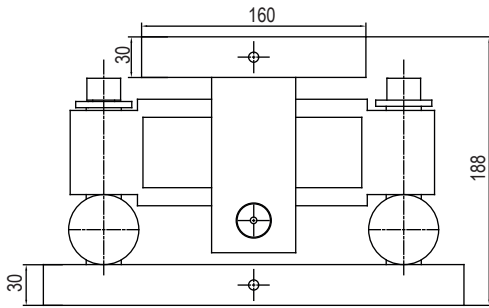
It is designed to support a uniformly distributed load and will allow tilt in any direction up to a maximum of +/- 3°.

BAYKON
Industrial Weighing Systems

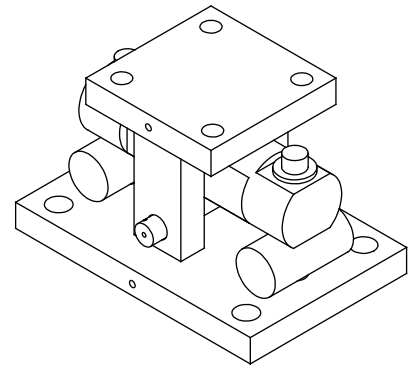
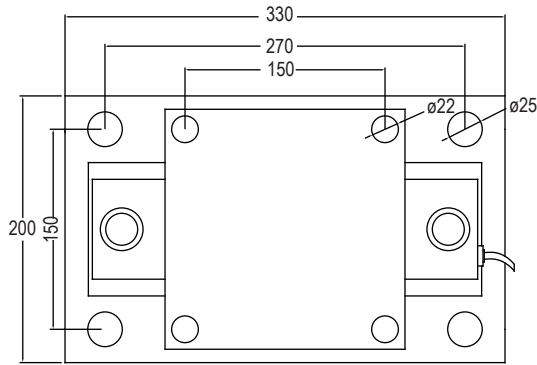
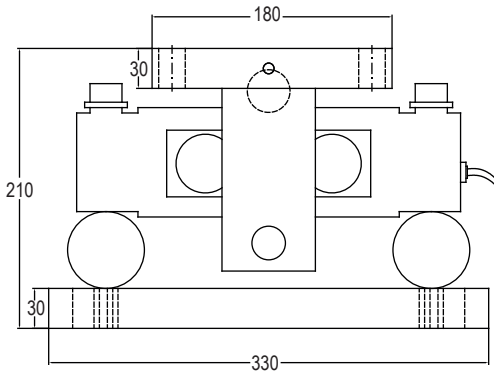
Technical Specifications

Dimensions (mm)

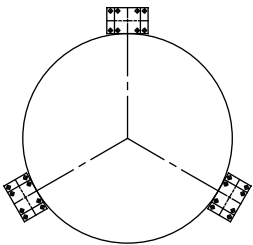
LAD420 50-70 klb



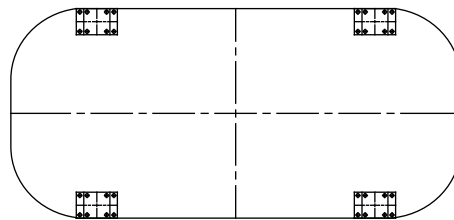
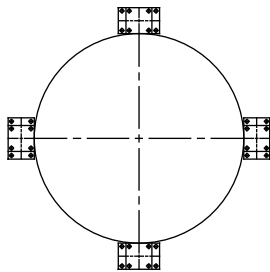
LAD420 100 klb



Application



Circular Mounting



Rectangular or Square Mounting

(Specifications are subject to change without notice. 02 -10 / 2020)