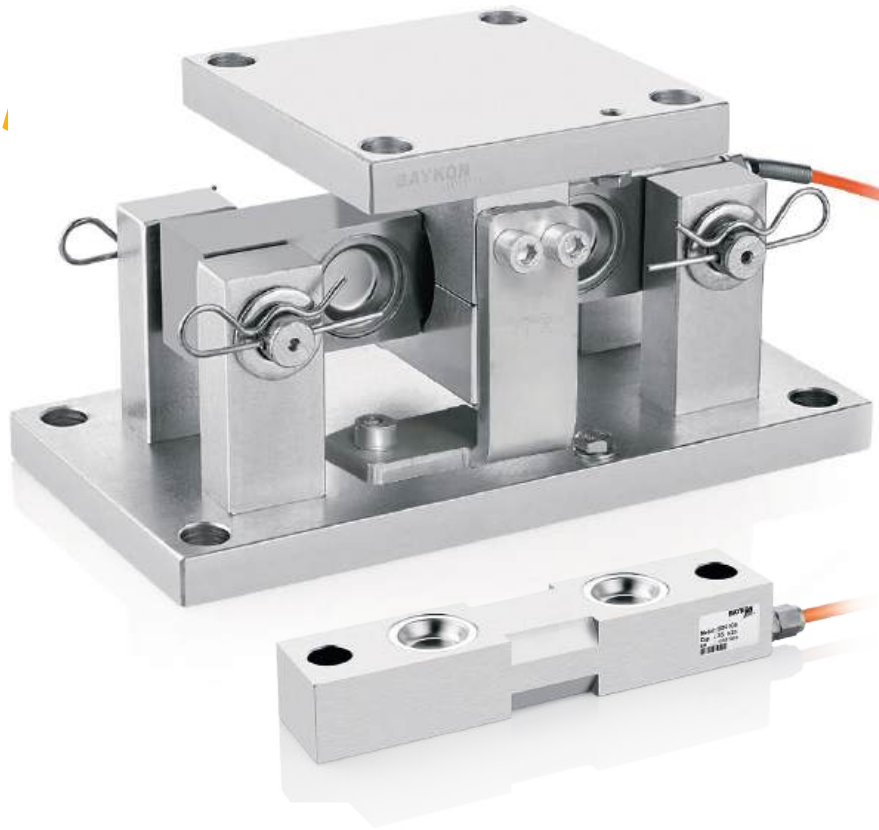


LAD410 Weigh Module

For Double Ended Type Load Cells



Applications



Explosive Atmospheres



Tank, Bunker, Silo Weighing



Industrial Processes

Key Features

- Capacity range: 2-35 Klb (LAD410)
- Easy to install and maintain
- Easy and fast load cell replacement
- Lift-off protection for extra safety
- Design eliminating the need for tie rods and stay bars
- Standard galvanized steel
- Optional painted steel or stainless steel

Model LAD410 Weigh module is designed for BD410 type double ended beam load cells. The rugged self-checking module allows thermal expansion and contraction of vessels due to sunlight exposure or internal vessel reactions. It offers perfect solution for tank / silo weighing systems.

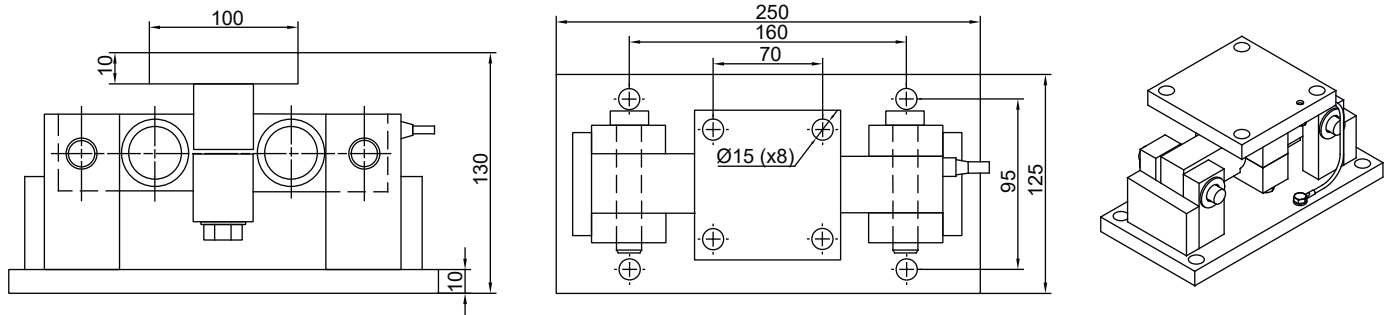
It is designed to support a uniformly distributed load. It allows tilt in any direction up to a maximum of $\pm 3^\circ$.

BAYKON
Industrial Weighing Systems

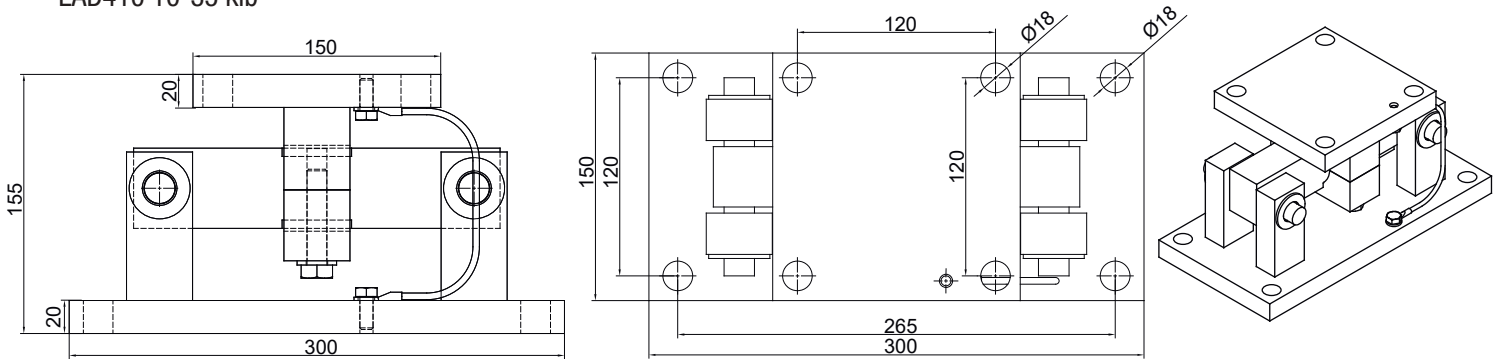
Technical Specifications

Dimensions (mm)

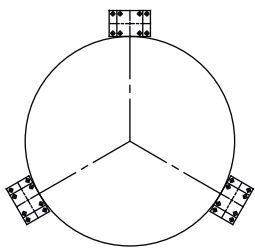
LAD410 2-5 klb



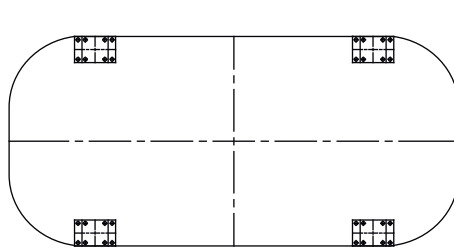
LAD410 10-35 klb



Application



Circular Mounting



Rectangular or Square Mounting