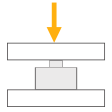


BR150 / BR150S

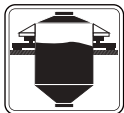
Ring Load Cells



Applications



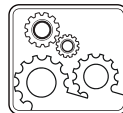
Truck Scales



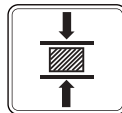
Tank, Bunker,
Silo Weighing



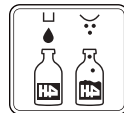
High Temperature
Applications



Industrial
Processes



Testing
Machines



Packing & Filling
Applications

Key Features

- Capacities: 1 ~ 10 t
- Nickel plated alloy steel / Stainless steel
- Protection class: IP68
- Model HT (optional)
For environments up to 150 °C

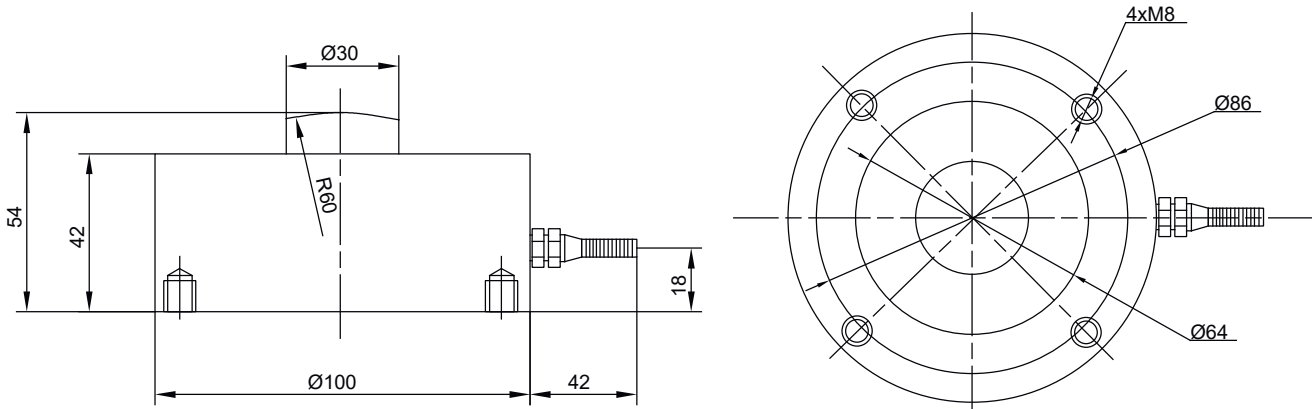
BR150 and BR150S are low-profile, compression-type load cells that are hermetically welded and IP68-protected. These load cells are constructed in aluminium or stainless steel and are available in different capacities ranging from 1 tonne to 10 tonnes.

BR150HT version is used in high-temperature environments up to 150°C.

Technical Specifications

Model		BR150	BR150S
Capacity (E_{max})	t	1 / 2 / 3 / 5 / 7.5 / 10	
Rated Output (RO)	mV / V	2.0 ± 0.02	
Temperature effect on zero	%RO / 10°C	≤ 0.05	
Temperature effect on sensitivity	%RO / 10°C	≤ 0.05	
Combined error	%RO	≤ 0.1	
Safe load limit	% E_{max}	150	
Side load limit	% E_{max}	200	
Zero balance	%RO	≤ 1.0	
Creep error (30 minutes)	%RO	≤ 0.05	
Excitation, recommended	V DC	5 - 12	
Excitation, maximum	V DC	15	
Input resistance	Ω	800 ± 80	
Output resistance	Ω	700 ± 5	
Insulation resistance (at 50 V DC)	MΩ	≥ 5000	
Compensated temperature range	°C	-10°C / +40°C.... 10°C / 150°C (HT model)	
Operating temperature range	°C	-30°C / +70°C.... -30°C / 200°C (HT model)	
Material		Nickel plated alloy steel	Stainless steel
Protection class		IP68	
Cable		Length: 8 m / diameter: 5 mm	

Dimensions (mm)



Color Codes

Function	Colors
+ excitation	red
+ signal	green
- excitation	black
- signal	white
shield	

(Specifications are subject to change without notice. 02 -04 / 2026)