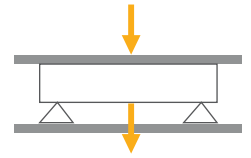


BYP40

Load Pin



Applications



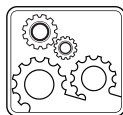
Crane Scales



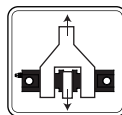
High Capacity Applications



Special Weighing



Industrial Processes



Overload Limiting

Key Features

- Capacities: 1~5 t
- Nickel plated alloy steel
- Protection class: IP67
- High accuracy

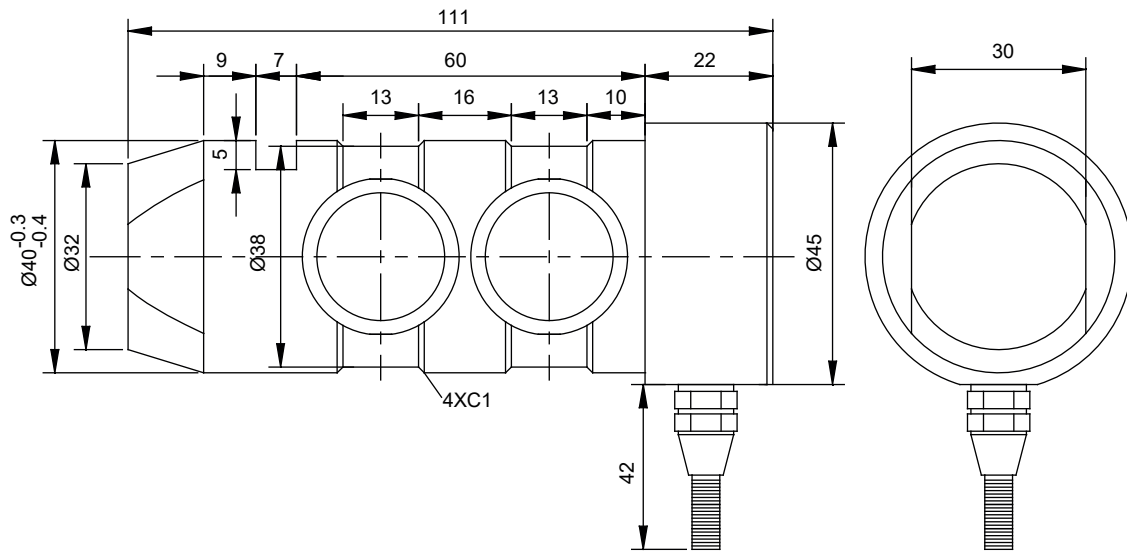
BYP40 is a high performance steel construction pin type loadcell. It is used for force measurement applications in various industries; heavy industry, mining, offshore, subsea and aerospace.

BYP40 can be incorporated easily and economically into the load path by replacing any existing load bearing pins. Typically they are used in rope sheaves, fairleads, cranes and safe limit applications.

Technical Specifications

Model		BYP40
Capacity (E_{max})	t	1 / 2 / 3 / 4 / 5
Rated output (RO)	mV / V	1.0 ± 0.01
Combined error	%RO	≤ 0.5
Temperature effect on zero	%RO / 10°C	≤ 0.1
Temperature effect on sensitivity	%RO / 10°C	≤ 0.1
Safe load limit	% E_{max}	150
Ultimate load	% E_{max}	200
Zero balance	%RO	≤ 1
Creep error (30 min.)	%RO	≤ 0.1
Excitation voltage, recommended	V (DC)	5 - 12
Excitation voltage, maximum	V (DC)	15
Input resistance	Ω	750 ± 50
Output resistance	Ω	702 ± 3
Insulation resistance (at 50 V DC)	MΩ	≥ 5000
Compensated temperature range	°C	- 10...+ 40
Operating temperature range	°C	- 30...+ 70
Material		Nickel plated alloy steel
Protection class		IP67
Cable		Length: 4 m / diameter: 5 mm

Dimensions (mm)



Color Codes

Function	Colors
+ excitation	blue
- excitation	black
+ signal	white
- signal	red
shield	yellow