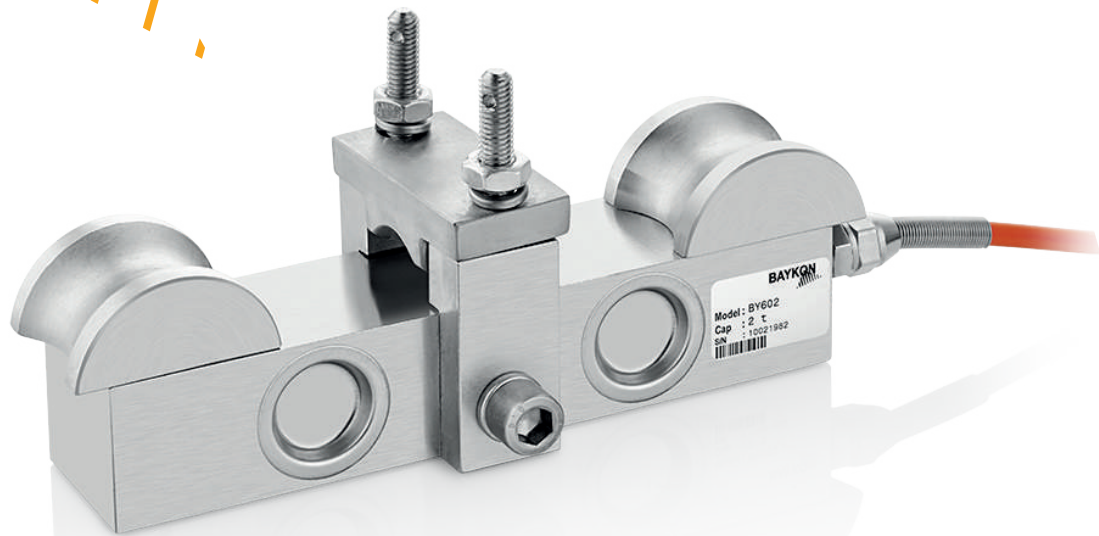
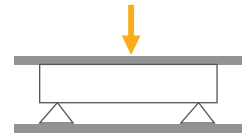


# BY602

## Rope Tension Load Cell



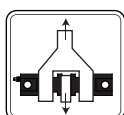
### Applications



Special Weighing



Industrial Processes



Overload Limiting

### Key Features

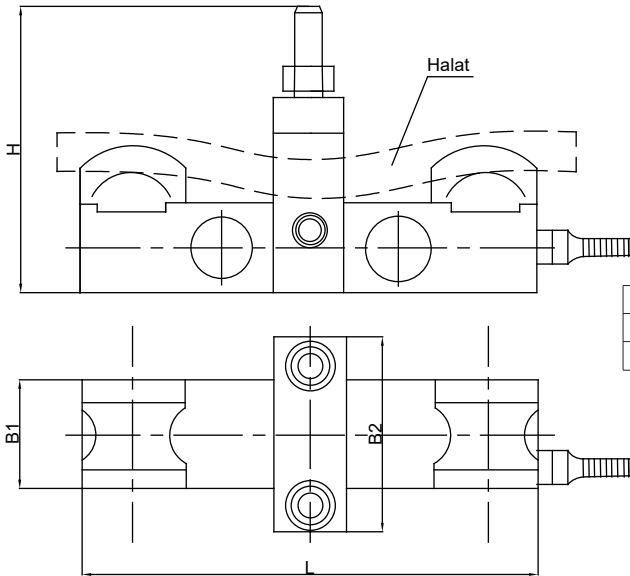
- Capacities: 5 ~ 10 t
- Nickel plated alloy steel
- Protection class: IP67
- High accuracy

BY602 is alloy steel construction load cell used for wire rope tension force measurement, overload alarming and force measurement of similar testing systems.

# Technical Specifications

Model		BY602
Capacity ( $E_{max}$ )	t	5 / 10
Rated output (RO)	mV / V	$1.0 \pm 0.05$
Combined error	%RO	$\leq 0.5$
Temperature effect on zero	%RO / $10^{\circ}\text{C}$	$\leq 0.05$
Temperature effect on sensitivity	%RO / $10^{\circ}\text{C}$	$\leq 0.05$
Safe load limit	% $E_{max}$	150
Ultimate load	% $E_{max}$	200
Zero balance	%RO	$\leq 1$
Creep error (30 min.)	%RO	$\leq 0.1$
Excitation voltage, recommended	V (DC)	5 - 12
Excitation voltage, maximum	V (DC)	15
Input resistance	$\Omega$	$750 \pm 10$
Output resistance	$\Omega$	$702 \pm 3$
Insulation resistance (at 50 V DC)	M $\Omega$	$\geq 5000$
Compensated temperature range	$^{\circ}\text{C}$	- 10...+ 40
Operating temperature range	$^{\circ}\text{C}$	- 30...+ 70
Material		Nickel plated alloy steel
Protection class		IP67
Cable		Length: 10 m / diameter: 6 mm

## Dimensions (mm)



Capacity	L	B1	B2	H	Rope
5t	200	40	75	136.5	$\varnothing 16-\varnothing 26$
10t	260	60	110	174	$\varnothing 24-\varnothing 36$

## Color Codes

Function	Colors
+ input	blue
+ output	white
- input	black
- output	red
shield	yellow

Specifications are subject to change without notice. 03 -03 / 2024