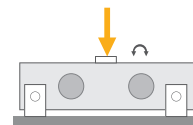
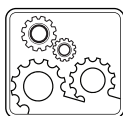


# BY554

## Double Ended Shear Beam Load Cells



### Applications



Industrial  
Processes



High Temperature  
Applications

### Key Features

- Capacities: 50~200 t
- Nickel plated alloy steel
- Protection class: IP67
- High accuracy
- Model HT (optional)  
For environments up to 150 °C

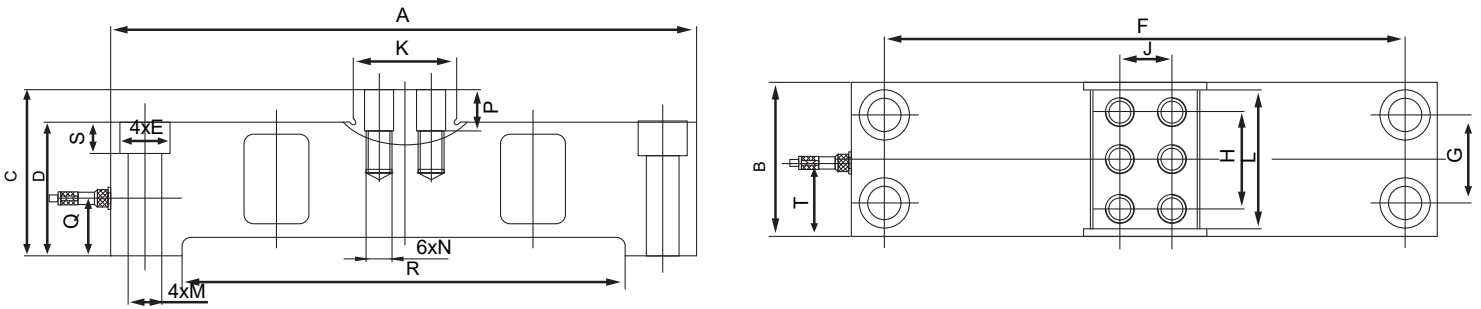
Type BY554 is a special type, steel construction double ended shear beam loadcell. It is specifically designed for the high fatigue stresses, ship and melting pot weighing, very heavy capacity weighing systems and industrial process.

BY554HT model is designed for high temperature environments up to 150°C degrees.

# Technical Specifications

Model		BY554
Capacity (E <sub>max</sub> )	t	50 / 100 / 150 / 200
Rated output (RO)	mV / V	2.0 ± 0.003
Combined error	%RO	≤ 0.1
Temperature effect on zero	%RO / 10°C	≤ 0.03
Temperature effect on sensitivity	%RO / 10°C	≤ 0.05
Safe load limit	%E <sub>max</sub>	120
Ultimate load	%E <sub>max</sub>	200
Zero balance	%RO	≤ 1.0
Creep error (30 min.)	%RO	≤ 0.05
Excitation, recommended	V (DC)	5 - 12
Excitation maximum	V (DC)	15
Input resistance	Ω	750 ± 10
Output resistance	Ω	702 ± 10
Insulation resistance (at 50 V DC)	MΩ	≥ 5000
Compensated temperature range	°C	-10°C / +40°C.... 10°C / 150°C (HT model)
Operating temperature range	°C	-30°C / +70°C.... -30°C / 200°C (HT model)
Material		Nickel plated alloy steel
Protection class		IP67
Cable		Length 16 m / diameter 6 mm

## Dimensions (mm)



Capacity	A	B	C	D	E	F	G	H	J	K	L	M	N	P	Q	R	S	T
50	450	120	130	105	ø38	398	68	75	40	80	110	ø26	M20T30	32	45	340	25.5	57
100	500	140	143	118	ø44	444	80	90	44	90	130	ø30	M24T36	38	54	370	28.5	62
150	560	160	158	133	ø48	500	94	102	44	90	150	ø33	M24T36	38	66	410	32	69
200	620	180	175	150	ø48	560	114	110	44	90	160	ø33	M24T40	40	75	450	32	76

## Color Codes

Function	Colors
+ excitation	blue
- excitation	black
+ signal	white
- signal	red
shield	yellow