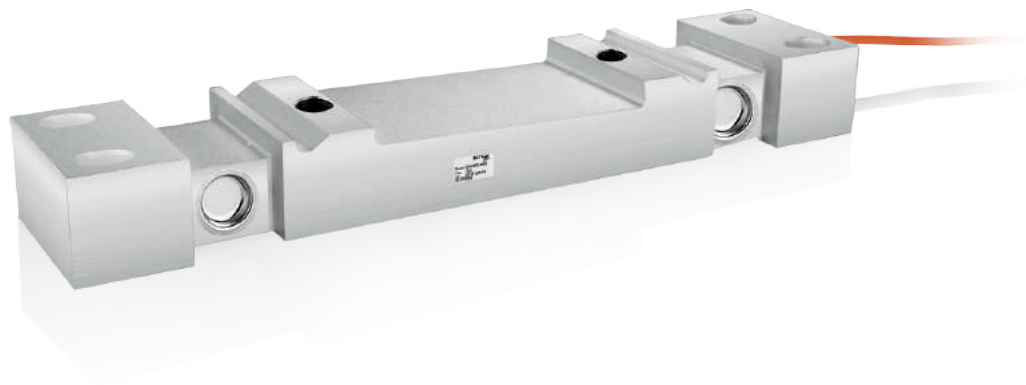
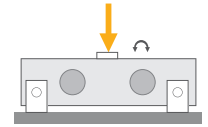


BY538

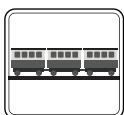
Double Ended Shear Beam Load Cell



Applications



Industrial Processes



Rail Scales

Key Features

- Capacities: 10~50 t
- Nickel plated alloy steel
- Protection class: IP67
- High accuracy

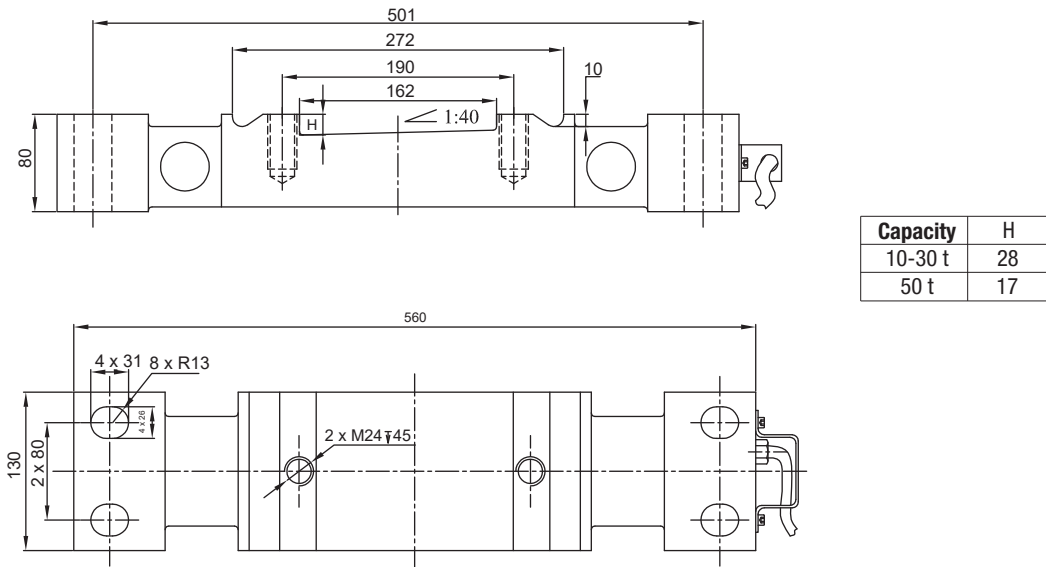
BY538 is a high-performance, alloy steel, hermetically welded and IP67-protected load cell.

With its structure that can be installed directly under the rail, it provides easy and precise weighing, especially for train and similar rail systems.

Technical Specifications

Model		BY538
Maximum capacity (E_{max})	t	10 / 30 / 50
Rated output (RO)	mV / V	1.6 ± 0.005
Combined error	%RO	$\leq \pm 0.3$
Creep error (30 min.)	%RO	≤ 0.05
Temperature effect on zero	%RO / 10°C	≤ 0.3
Temperature effect on sensitivity	%RO / 10°C	≤ 0.3
Zero balance	%RO	≤ 1
Input resistance	Ω	750 ± 10
Output resistance	Ω	703 ± 5
Insulation resistance (at 50 V DC)	M Ω	≥ 5000
Safe load limit	% E_{max}	120
Ultimate load	% E_{max}	150
Besleme voltajı (önerilen)	V (DC)	10 ... 12
Besleme voltajı (maksimum)	V (DC)	15
Compensated temperature range	°C	- 10...+ 40
Operating temperature range	°C	- 30...+ 70
Material		Nickel plated alloy steel
Protection class		IP67
Cable		Length: 16 m / diameter: 6 mm

Dimensions (mm)



Color Codes

Function	Colors
+ excitation	blue
- excitation	black
+ signal	white
- signal	red
shield	yellow