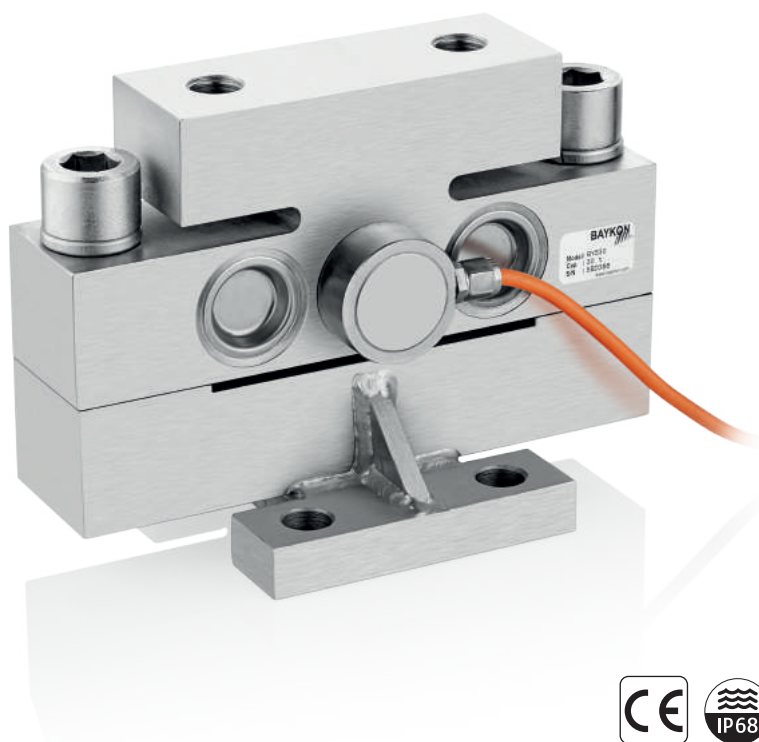
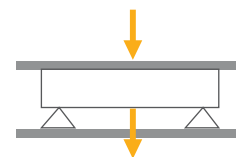
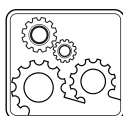


BY530

Double Ended Shear Beam Load Cell



Applications



Industrial
Processes



Trailer Scales

Key Features

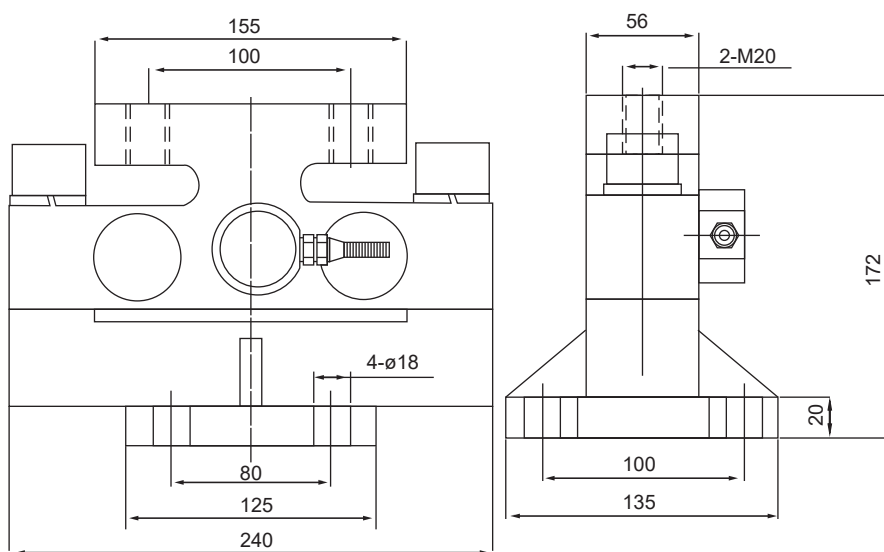
- Capacities: 10~40 t
- Nickel plated alloy steel
- Protection class: IP68
- High accuracy

Type BY530 is a special type, IP 68 protected steel construction double ended shear beam loadcell. It is specifically designed for heavy capacity weighing systems and industrial process.

Technical Specifications

Model		BY530
Capacity (E_{max})	t	10 / 15 / 20 / 25 / 30 / 40
Rated output (RO)	mV / V	2.0 ± 0.01
Combined error	%RO	≤ 0.2
Temperature effect on sensitivity	%RO / 10°C	≤ 0.02
Temperature effect on sensitivity	%RO / 10°C	≤ 0.02
Safe load limit	% E_{max}	150
Ultimate load	% E_{max}	300
Zero balance	%RO	≤ 1
Creep error (30 min.)	%RO	≤ 0.03
Excitation, recommended	V (DC)	5 -12
Excitation maximum	V (DC)	15
Input resistance	Ω	750 ± 10
Output resistance	Ω	702 ± 3
Insulation resistance (at 50 V DC)	M Ω	≥ 5000
Compensated temperature range	°C	- 10...+ 40
Operating temperature range	°C	- 30...+ 70
Material		Nickel plated alloy steel
Protection class		IP68
Cable		Length: 14 m / diameter: 6 mm

Dimensions (mm)



Color Codes

Function	Colors
+ input	blue
+ output	white
- input	black
- output	red
Shield	yellow