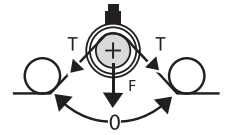


# BW010

## Web Tension Load Cell



### Applications



Industrial Processes



Paper, Film, Foil



Wire, Cable, Hose

### Key Features

- Wide capacity range 20~200 kg
- Extremely robust
- Stainless steel
- Flange mounting
- Easy installation
- Overload protection

Web processing at optimum web tension is a goal that must be achieved to produce high-quality material in many web processing industries, such as paper, film, foil, rubber, plastic, lamination, etc. For this purpose, providing optimum web tension control during winding and unwinding assures that the web processing is fed smoothly and prevents web damage.

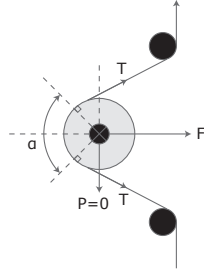
The BW010 series of web tension load cells, by being installed on the roll shaft directly and easily, sensitively detect the resultant force caused by pulling the material based on the wrap angle.

BW010 tension measuring load cells are made of stainless steel and have a wide range of capacity options depending on the application.

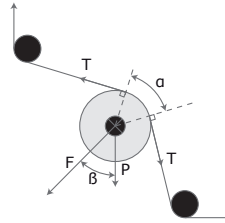
# Technical Specifications

Model		BW010
Capacity ( $E_{max}$ )	kg	20 / 50 / 100 / 200
Accuracy class	%	0.5
Rated output (RO)	mV / V	2.0±0.005
Combined error	%RO	≤ 0.05
Safe load limit	% $E_{max}$	150
Aşırı yüklemeye kırılma/bozulma sınırı	% $E_{max}$	200
Ultimate load	%RO	≤ 1
Excitation voltage, recommended	V (DC)	5 - 10
Excitation voltage, maximum	V (DC)	15
Input resistance	$\Omega$	380±30
Output resistance	$\Omega$	352±3
Insulation resistance (at 100 V DC)	M $\Omega$	≥ 5000
Compensated temperature range	°C	- 10...+ 40
Operating temperature range	°C	- 30...+ 70
Material		Stainless steel
Protection class		IP66
Cable		3 m black ( 4 x 0.22 mm <sup>2</sup> )

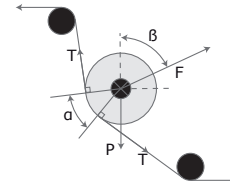
Horizontal Resultant



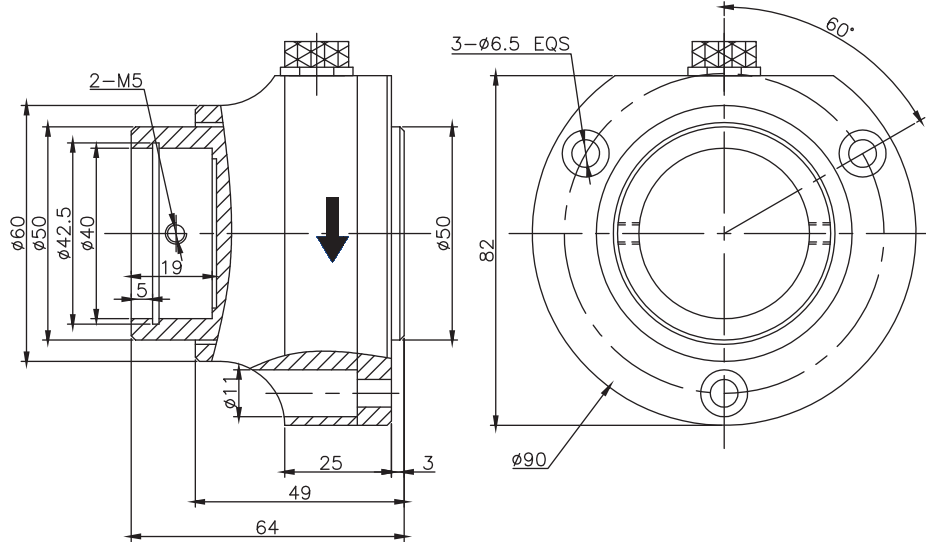
Downward Resultant



Upward Resultant



## Dimensions (mm)



## Color Codes

Function	Colors
+ input	red
+ output	black
- input	green
- output	white

Specifications are subject to change without notice. 02 -03 / 2024