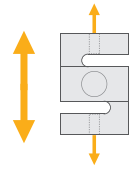


BT630S

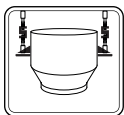
Tension - S Type Load Cell



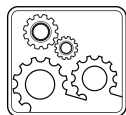
Applications



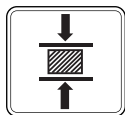
Crane Scales



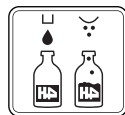
Suspended Vessel



Industrial Processes



Testing Machines



Packing & Filling Applications

Key Features

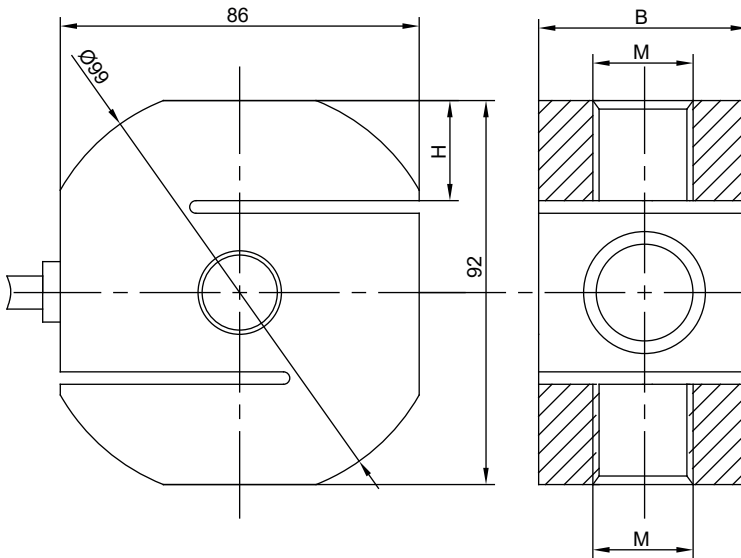
- Capacities: 500 ~ 6000 kg
- Stainless steel
- Protection class: IP68
- Tension and compression type usage

BT630S is welded stainless steel S type load cell with IP68 protected. It perfectly fits for use in industrial applications such as crane scales, suspended hopper scales, conversion of mechanical scales and testing equipment.

Technical Specifications

Model		BT630S
Capacity (E_{max})	t	0.5/1/2/3/5/6
Accuracy class		G3
Rated output (RO)	mV / V	2.0 ± 0.004
Combined error	%RO	≤ 0.023
Safe load limit	% E_{max}	150
Ultimate load	% E_{max}	300
Zero balance	%RO	≤ 1.5
Excitation voltage, recommended	V (DC)	5 - 12
Excitation voltage, maximum	V (DC)	18
Input resistance	Ω	350 ± 3
Output resistance	Ω	350 ± 3
Insulation resistance (at 50 V DC)	M Ω	≥ 5000
Compensated temperature range	$^{\circ}\text{C}$	- 10...+ 40
Operating temperature range	$^{\circ}\text{C}$	- 35...+ 65
Material		Stainless steel
Protection class		IP68
Cable		Length: 3 m (for 0.5 t) , 6 m (for others) / diameter: 5 mm

Dimensions (mm)



Capacity	B	H	M
0.5~1t	32	25	M12x1.75
2~3t	32	25	M20x1.5
5~6t	50	25	M24x2

Color Codes

Function	Colors
+ input	red
+ output	green
- input	black
- output	white

(Specifications are subject to change without notice. 02 -03 / 2024)