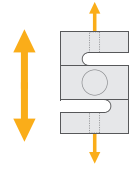


BT601

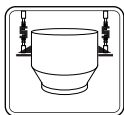
Tension - S Type Load Cell



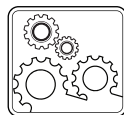
Applications



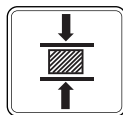
Crane Scales



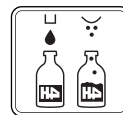
Suspended Vessel



Industrial Processes



Testing Machines



Packing & Filling Applications

Key Features

- Capacities; 2 ~ 10 kg
- Aluminium
- Protection class: IP65
- High accuracy

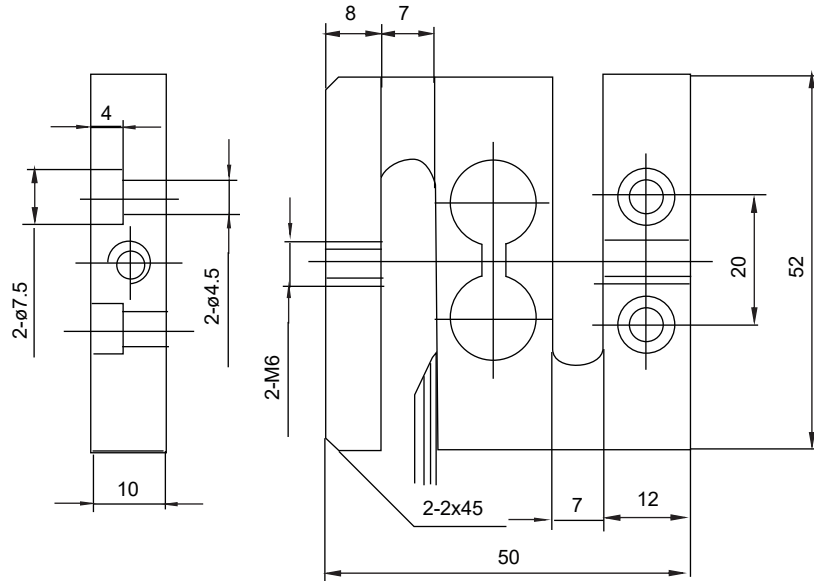
BAYKON BT601 is low-cost and high performance tension type load cell. They are manufactured from high durability aluminium construction.

BT601 series load cells perfectly fit for use in low capacities weighing applications, suspended hopper weighing and general test or force measurement.

Technical Specifications

Model		BT601
Capacity (E_{max})	kg	2 / 5 / 10
Rated output (RO)	mV / V	1.0 ± 0.005
Combined Error	%RO	≤ 0.2
Non-Linearity	%RO	≤ 0.12
Temperature effect on zero	%RO / 10°C	≤ 0.15
Temperature effect on sensitivity	%RO / 10°C	≤ 0.13
Safe load limit	% E_{max}	120
Ultimate load	% E_{max}	150
Zero balance	%RO	≤ 1
Creep error (30 min.)	%RO	≤ 0.2
Excitation voltage, recommended	V (DC)	5 - 12
Excitation voltage, maximum	V (DC)	15
Input resistance	Ω	350 ± 5
Output resistance	Ω	350 ± 5
Insulation resistance (at 50 V DC)	M Ω	≥ 5000
Compensated temperature range	°C	- 10...+ 40
Operating temperature range	°C	- 35...+ 65
Material		Aluminium
Protection		IP65
Cable		Length: 25 cm

Dimensions (mm)



Color Codes

Function	Colors
+ excitation	red
- excitation	green
+ signal	white
- signal	black
shield	