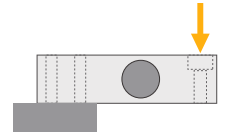


BS063 / BS063S

Shear Beam Load Cells



Applications



Floor Scales



Water Proof Scales



Explosive Atmospheres



Pallet Scales



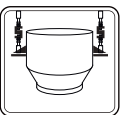
Checkweighers



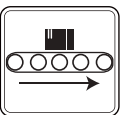
Mobile Applications



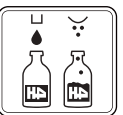
Tank, Bunker, Silo Weighing



Suspended Vessel



Conveyor Scales



Packing & Filling Applications

Key Features


- 150~10000 kg Capacities
- Nickel plated alloy steel / Stainless steel
- Metric threaded and blind hole types
- OIML R60 C3 approved (1~5t)
- ATEX approved (optional)
Zone 0, 1, 2, 20, 21, 22
- Protection class: IP68

The BS063 / BS063S is a welded nickel plated alloy steel / stainless steel load cell available in a wide range of capacities from 150 kg to 10000 kg.

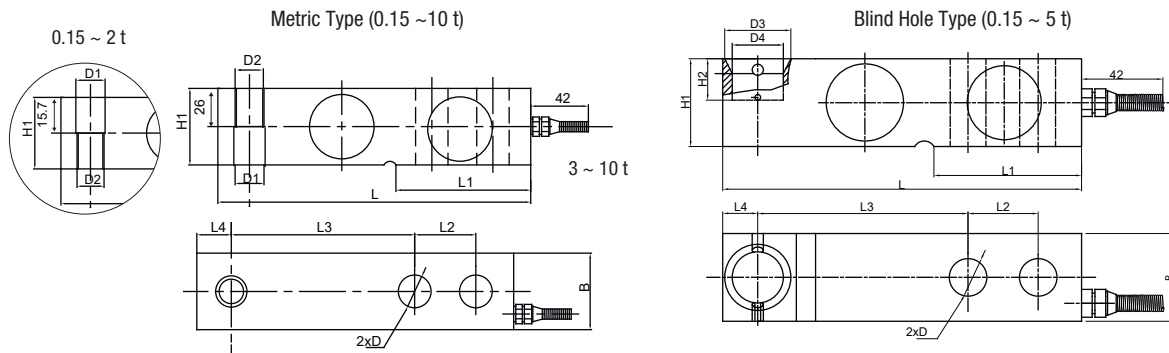
With IP68 protected metric threaded and blind hole types, they are perfect choice for applications such as floor scales, conveyor, hopper and low capacity vessel weighing systems.

ATEX approved BS063 / BS063S load cells are suitable for use in explosive environments.

Technical Specifications

Model		BS063	BS063S
Capacity (E _{max})	t	0.15 / 0.25 / 0.3 / 0.5 / 0.75 / 1 / 1.5 / 2 / 2.5 / 3 / 5 / 7.5 / 10	0.15 / 0.25 / 0.3 / 0.5 / 0.75 / 7.5 / 10 / 1 / 1.5 / 2 / 2.5 / 3 / 5
Accuracy class according to OIML R60		C3	G3 C3
Rated output (RO)	mV / V	2.0 ± 0,002 (0.15-0.75t) 3.0 ± 0,003 (1-10t)	2.0 ± 0,002 (0.1-0.3t) 3.0 ± 0,003 (0.5-10t)
Max.number of load cell verification intervals (n _{LC})		3000	- 3000
Min. load cell verification interval (v _{min})		E _{max} /10000	- E _{max} /10000
Temperature effect on zero	%RO / 10°C		< ± 0.02
Temperature effect on sensitivity	%RO / 10°C		< ± 0.02
Combined error	%RO		± 0.02
Safe load limit	%E _{max}		150
Ultimate load	%E _{max}		180
Zero balance	%RO		< ± 1
Creep error (30 minutes)	%RO		< ± 0.02
Excitation voltage, recommended	V (DC)		10 - 12
Excitation voltage, maximum	V (DC)		15
Input resistance	Ω		400 ± 20
Output resistance	Ω		352 ± 3
Insulation resistance (at 50 V DC)	MΩ		≥ 5000
Compensated temperature range	°C		- 10...+ 40
Operating temperature range	°C		- 30...+ 70
ATEX Approval (Optional)		ATEX  II 1G Ex ia IIC T6 Ga II 1D Ex ia IIIC T82°C Da	
Material		Alloy steel	Stainless Steel
Protection class		IP68	
Cable		Lenght : 3 m for (0.15-2.5t), 4.2 m for (3- 5t) , 5 m for (7.5-10t), Ø 6 mm	

Dimensions (mm)



Capacity (t)	L	L1	L2	L3	L4	B	H1	H2	D	D1	D2	D3	D4
0.15 ~ 2	130	53.5	25.4	76.2	12.7	31.8	31.8	15	ø13	ø13.5	M12	ø24	ø18.5
3 ~ 5	171.5	72.5	38.1	95.3	19	38.1	38.1	20	ø20	ø20	M18x1.5	ø35	ø25
7.5 ~ 10	222.5	102	50.8	124	25.3	50.8	50.8	-	ø27	ø27	M24x2	-	-

Color Codes

Function	Colors
+ excitation	blue
- excitation	black
+ signal	white
- signal	red
shield	

W Modules



LEB