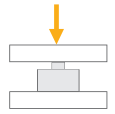


BR110SD

Digital Compression Load Cell



Applications



Truck Scales



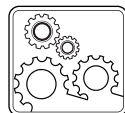
Tank, Bunker,
Silo Weighing



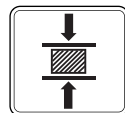
High Capacity
Applications



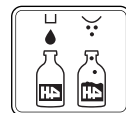
Special
Weighing



Industrial
Processes



Testing
Machines



Packing & Filling
Applications

Key Features

- Digital data output
- 1 ~ 470 t Capacities
- Stainless steel
- Protection class: IP68

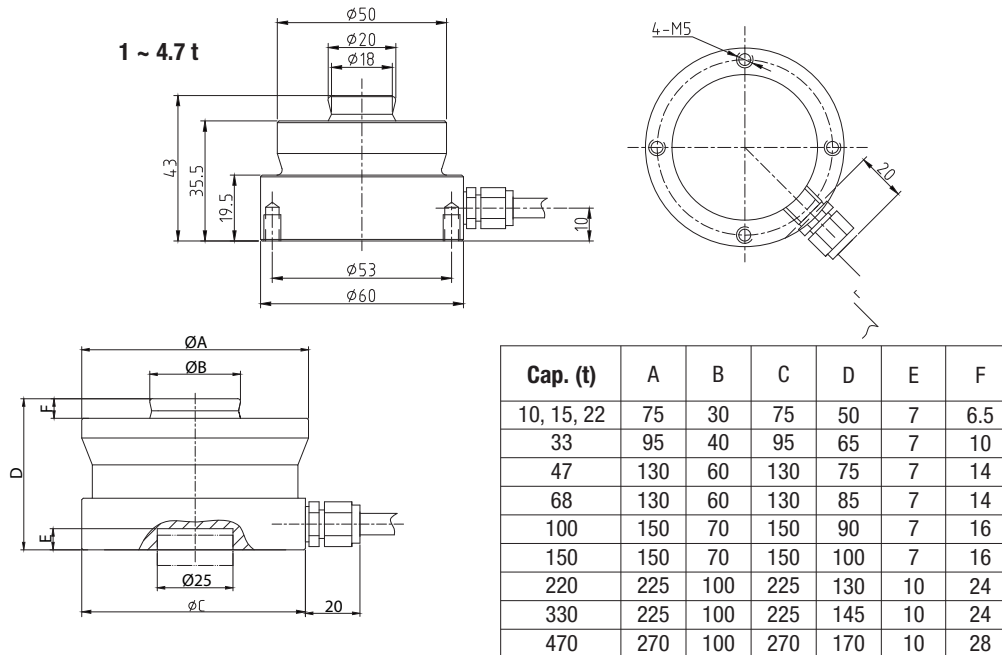
BR110SD is a compression-type stainless-steel load cell, suitable for accurate and reliable measurement in all kinds of industrial weighing applications thanks to its advanced electronic design and high resolution. BR110SD with IP68 protection class is highly suitable for high-capacity floor scales, tank scales, ship weighing and similar industrial weighing applications.

It prevents incorrect weighing in case of any load cell failure in the weighing system and enables easy and fast diagnostic of the error with the relevant error code guidance. BAYKON BR110SD digital load cells have normalized production features that eliminate the need for readjustment after replacing the load cell.

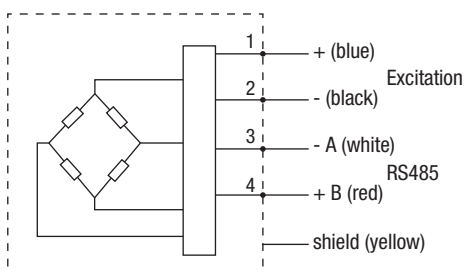
Technical Specifications

Model		BR110SD
Capacity (E_{max})	t	1 / 2.2 / 3.3 / 4.7 / 10 / 15 / 22 / 33 / 47 / 68 / 100 / 150 / 200 / 330 / 470
Accuracy class		G3
Internal resolution (Max.)	Count @ E_{max}	8 000 000
Temperature effect on zero	% $E_{max}/10^{\circ}C$	≤ 0.011
Temperature effect on sensitivity	% $E_{max}/10^{\circ}C$	≤ 0.008
Combined error	% E_{max}	≤ 0.019
Zero balance	% E_{max}	$\leq \pm 1$
Creep error (30 minutes)	% E_{max}	≤ 0.01
Safe load limit	% E_{max}	150
Ultimate load	% E_{max}	300
Communication		RS485 , Baykon BDLC protocol
Excitation, recommended	V (DC)	12
Excitation voltage range	V (DC)	10 - 16
Current consumption (at 12 V)	mA	20
Compensated temperature range	$^{\circ}C$	- 10 ... + 40
Operating temperature range	$^{\circ}C$	- 40 ... + 70
Material		Stainless steel
Protection class		Hermetically sealed, IP68
Cable		Lenght: 12 m for 10 t-33 t, 16 m for up to 330 t, \varnothing 6 mm stainless steel braided sleeving

Dimensions (mm)



Color Codes



W Modules



LAC (Up to 47 t)