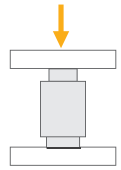


# BR020

## Compression Load Cell



### Applications



Explosive Atmospheres



Truck Scales



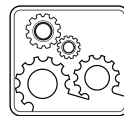
Tank, Bunker, Silo Weighing



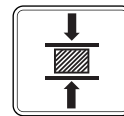
High Capacity Applications



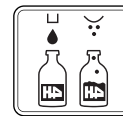
Special Weighing



Industrial Processes



Testing Machines



Packing & Filling Applications


### Key Features

- Capacities: 10~60 t
- Stainless steel
- OIML R60 C3 approved
- ATEX approved (optional)  
Zone 0, 1, 2, 20, 21, 22
- Protection class: IP68

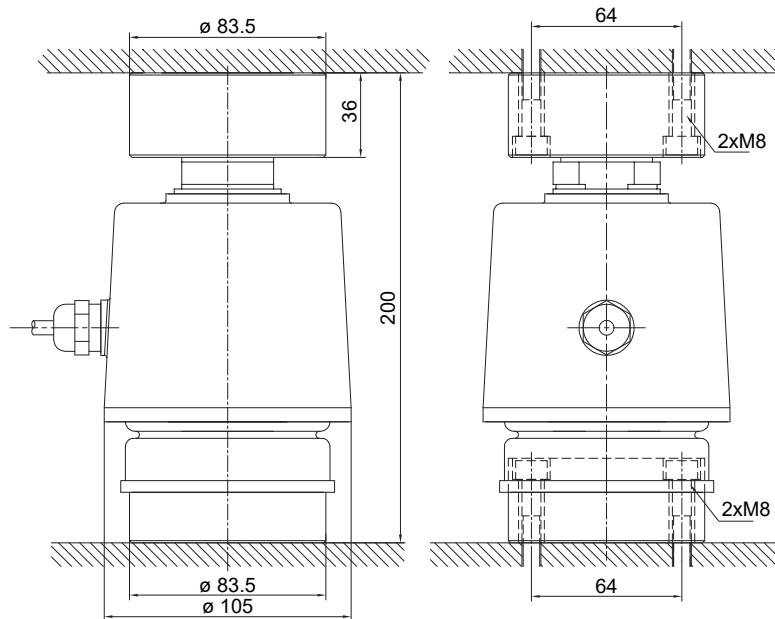
BR020 is OIML R60 C3 approved, high performance fully welded compression type load cell. It perfectly fits for use in high capacity weighing systems such as truck scales, axle scales, heavy capacity floor scales, tank scales, ship weighing and other heavy capacity industrial applications.

ATEX approved BR020 load cell is suitable for use in explosive environments.

# Technical Specifications

Model	BR020		
Capacity ( $E_{max}$ )	t	10 / 15	10 / 15 / 20 / 25 / 30 / 40 / 50 / 60
Accuracy class according to OIML R60		G3	C3
Rated output (RO)	mV / V	2.0 ± 0.005	
Max. number of load cell verification intervals ( $n_{LC}$ )		3000	
Min. load cell verification interval ( $v_{min}$ )		$E_{max} / 15000$	
Temperature effect on zero	%RO / 10°C	≤ 0.017	
Temperature effect on sensitivity	%RO / 10°C	≤ 0.015	
Combined error	%RO	≤ 0.017	
Safe load limit	% $E_{max}$	150	
Ultimate load	% $E_{max}$	200	
Zero balance	%RO	≤ 1.0	
Creep error (30 minutes)	%RO	≤ 0.017	
Excitation voltage, recommended	V (DC)	5 - 12	
Excitation voltage, maximum	V (DC)	15	
Input resistance	Ω	1150 ± 50	
Output resistance	Ω	1003 ± 5	
Insulation resistance (at 50 V DC)	MΩ	≥ 5000	
Compensated temperature range	°C	- 10...+ 40	
Operating temperature range	°C	- 30...+ 70	
ATEX Approval (Optional)		ATEX  II 1G Ex ia IIC T6 Ga II 1D Ex ia IIIC T82°C Da	
Material		Stainless steel	
Protection class		IP68	
Cable		Length: 16 meter (10-25 t), 18 meter (30-60 t), Diameter: 6 mm	

## Dimensions (mm)



## Color Codes

Function	Colors
+ excitation	blue
- excitation	black
+ signal	white
- signal	red
shield	yellow