

BJS Industrial Junction Boxes

Precise, Stainless steel and Waterproof



Typical Applications

- High capacity scales
- Weighbridges
- Industrial weighing applications
- Weighing in wet and hygienic environments
- Weighing systems under lightning risk



Features

- Up to 8 load cells connection
- Corner trimming by high long term stable components
- Stainless steel housing
- IP67 protection class
- Easy eccentricity adjustment
- Ventilation and moisture extraction



Heavy Industrial Products

- These instruments are designed for heavy industrial environments
- Wide operating temperature range
- Lightning protection increases your system's reliability in long term.







The scale accuracy do not only depend on the quality of the indicator and load cell. The Junction box is the third very important instrument to determine the scale accuracy. Precision BJS series junction boxes are designed to use in every kind of industrial weighing applications including weigh-bridges, tank scales, silo weighing systems, conveyor scales and high capacity scales etc. Components of Baykon junction boxes has been carefully selected very sensitively to ensure high accuracy over a long life.

Baykon BJS series junction boxes are produced the most accurate output from matched load cells to high unbalanced load cells. The signal accuracy of the matched load cells does not changed because of the electronic circuitry in the junction box.

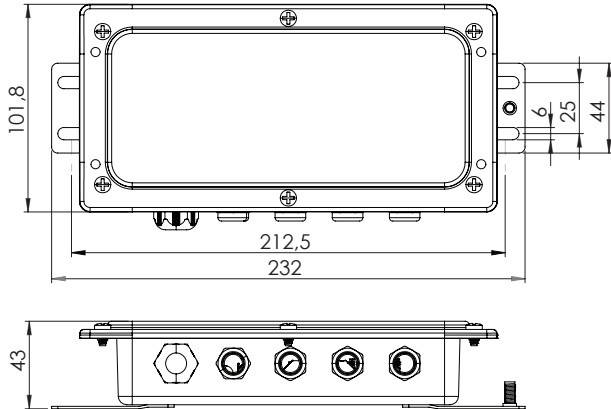
The scales equipped with BJS junction boxes can be used in all kind of industrial areas up to wet and hygienic environments.

Technical Specifications

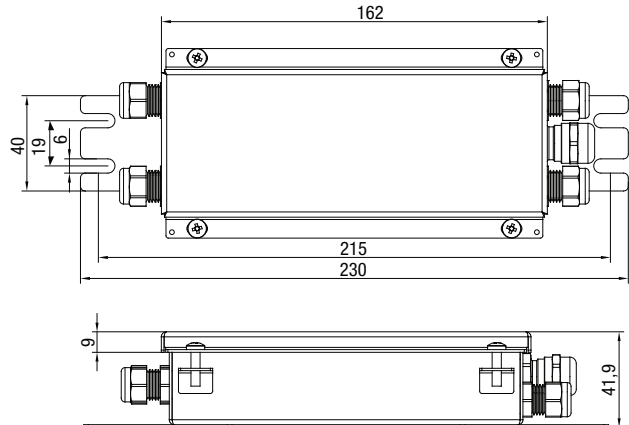
				
	BJS-04B	BJS-04P	BJS-04A	BJS-08A
Load cell quantity		Up to 4		Up to 8
Lightning protection		No		Yes
Eccentricity adjustment		Yes		
Load cell impedance		Between 350 Ω - 1200 Ω for eccentricity adjustment		
External grounding screw	Yes	Via mounting screw		Yes
Glands		4 x M12 ve 1 X M16 Poliamid PA6V2, Black, IP68		9 x M16 Poliamid PA6V2,Siyah, IP68
Cable diameters		Load cell cables: 3 - 6.5 mm; Instrument cable: 4 - 8 mm		4 - 8 mm
Holes for NAWI sealing		Yes		
Air ventilation		No		Yes
Enclosure & Protection class		Stainless steel, IP67		
Operating temperature range		-15 to +70°C		
Humidity		90% RH max, non condensing		
Weight (packed)	400 g	550 g	550 g	1200 g

Dimensions

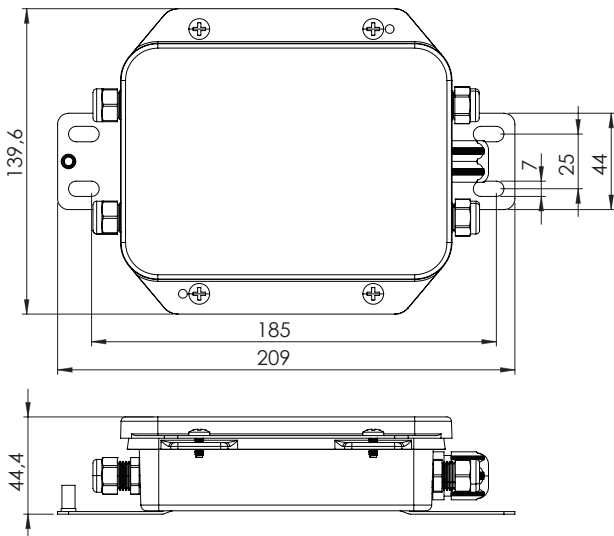
BJS-04B



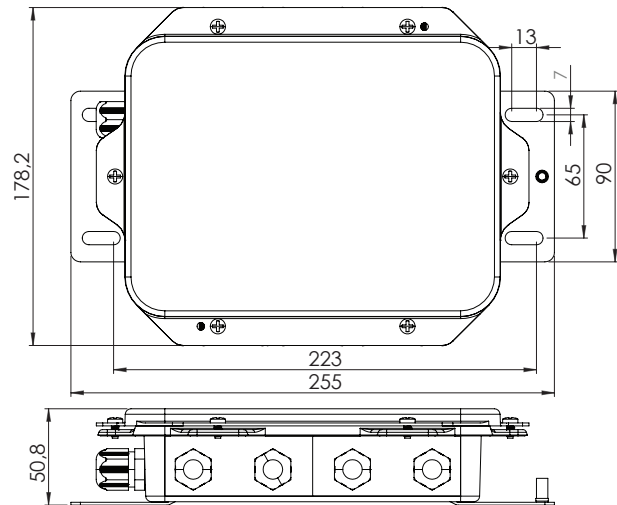
BJS-04P



BJS-04A



BJS-08A



(Specifications are subject to change without notice. 03 - 03/2024)