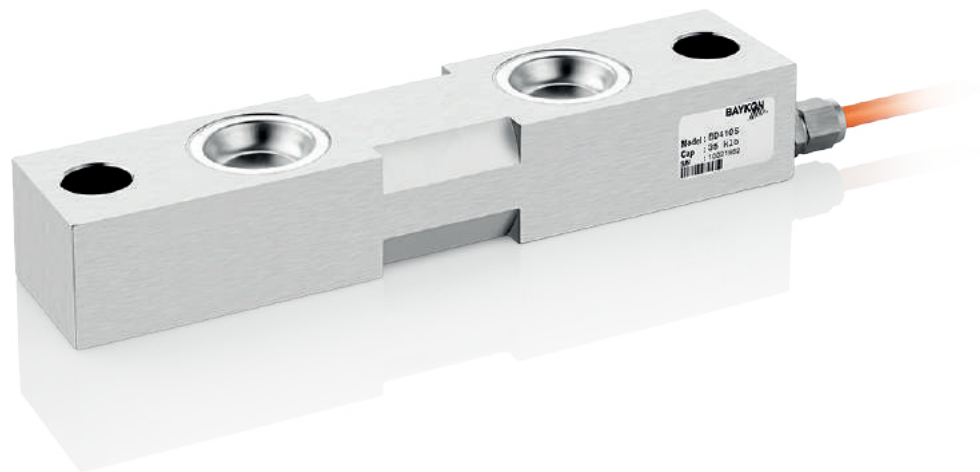
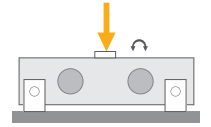


# BD410 / BD410S

## Double Ended Beam Load Cells



### Applications



Crane Scales



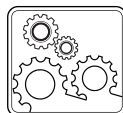
Tank, Bunker,  
Silo Weighing



High Capacity  
Applications



Special  
Weighing



Industrial  
Processes



Packing & Filling  
Applications

### Key Features

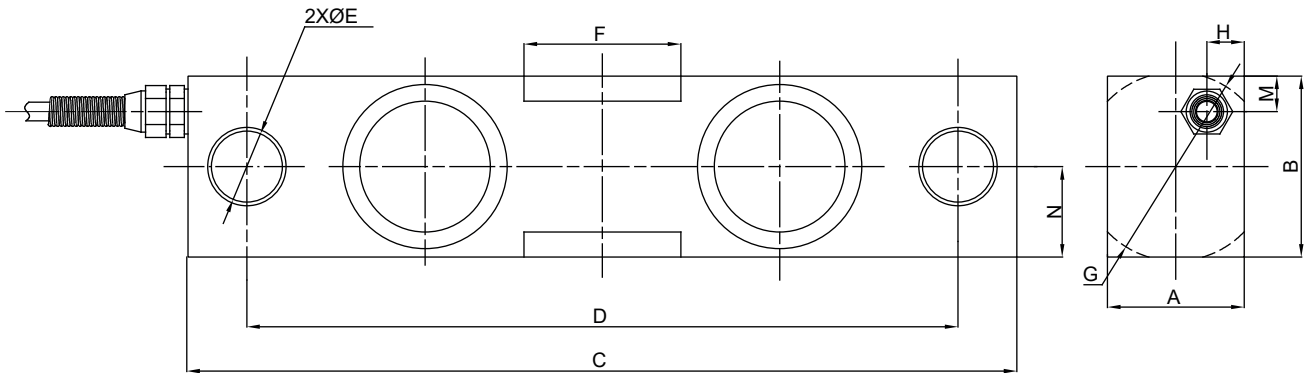
- Capacities: 10 ~ 35 klb
- BD410 Nickel plated alloy steel
- BD410S Stainless steel
- Protection class: IP68
- High accuracy

BD410 / BD410S is nickel plated alloy steel or stainless steel double ended shear beam type load cell designed for high capacity silo and tank weighing applications. Its welded construction provides IP68 environmental protection.

# Technical Specifications

|                                    |             |  |
|------------------------------------|-------------|--|
| Model                              |             | BD410 / BD410S   |
| Capacity ( $E_{max}$ )             | klb         | 10 / 15 / 25 / 35  |
| Accuracy class                     | %           | 0.05   |
| Rated output (RO)                  | mV / V      | $3.0 \pm 0.003$  |
| Non-Linearity                      | %RO         | $\leq 0.05$  |
| Hysteresis error                   | %RO         | $\leq 0.05$  |
| Temperature effect on zero         | %RO / 10°C  | $\leq 0.02$  |
| Temperature effect on sensitivity  | %RO / 10°C  | $\leq 0.02$  |
| Safe load limit                    | % $E_{max}$ | 150  |
| Ultimate load                      | % $E_{max}$ | 250  |
| Zero balance                       | %RO         | $\leq 1$   |
| Creep error ( 30 min.)             | %RO         | $\leq 0.02$  |
| Excitation voltage, recommended    | V (DC)      | 5 - 12   |
| Excitation voltage, maximum        | V (DC)      | 15   |
| Input resistance                   | $\Omega$    | $750 \pm 10$   |
| Output resistance                  | $\Omega$    | $702 \pm 2$  |
| Insulation resistance (at 50 V DC) | M $\Omega$  | $\geq 5000$  |
| Compensated temperature range      | °C          | - 10...+ 40  |
| Operating temperature range        | °C          | - 30...+ 70  |
| Material                           |             | BD410 nickel plated alloy steel / BD410S stainless steel |
| Protection class                   |             | IP68   |
| Cable                              |             | Length: 10 m / diameter: 6 mm                            |

## Dimensions (mm)

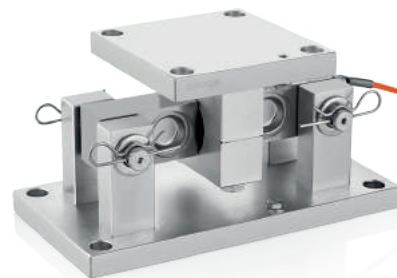


| Capacity (klb) | A    | B    | C   | D     | E  | F  | G    | H  | M   | N   |
|----------------|------|------|-----|-------|----|----|------|----|-----|-----|
| 10 ~ 35        | 36.6 | 48.5 | 222 | 190.5 | 19 | 42 | 1.95 | 10 | 9.5 | B/2 |

## Color Codes

| Function | Colors |
|----------|--------|
| + input  | blue   |
| + output | white  |
| - input  | black  |
| - output | red    |
| shield   | yellow |

## W Modules



LAD410