

BB Bar Type Scale

Mobile, fast and easy weighing



Ergonomic Design

- Easy portability
- Optional battery operation
- Depending on industrial environment, static painted, galvanised or stainless steel construction



Accurate and Reliable Weighing

- Impact resistant, waterproof IP66 protection class (optional) safe weighing
- Precise and practical weighing for palletized and non-palletized products



Functionality

- Functional use such as labelling, formulation, and filling control with mobile weighing electronics.
- Easy integration with PLC / DCS and ERP systems



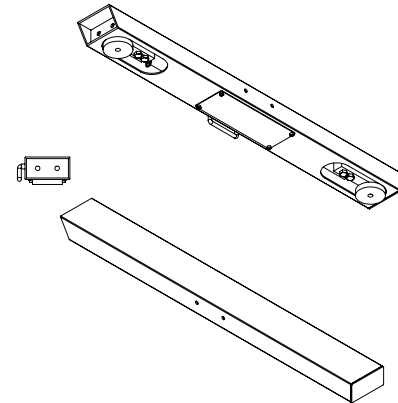
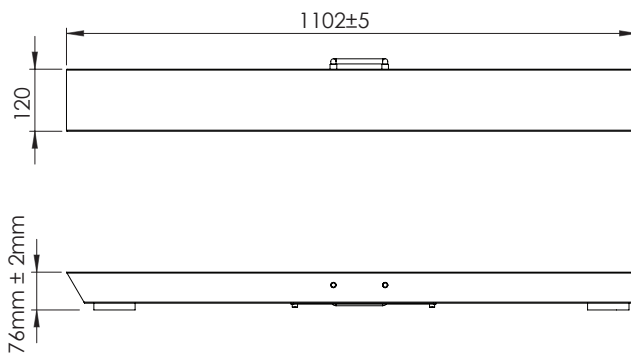
BAYKON BB bar type scale is a high precision and reliable industrial scale designed especially for large size weighing with pallets or without pallets. It is extremely suitable for portable use with a battery-powered indicator.

For various industrial environments; It is manufactured as static painted steel, galvanized or complete stainless steel construction. It is supplied integrated with different types of indicators suitable for your working environment and weighing process.

Technical Specifications

Model	Weighing Capacities		
	300 kg	600 kg	1500 kg
BB 3000	●		
BB 6000		●	
BB 1500			●
Readability			
Non-approved industrial usage	100 g	200 g	500 g
Measurement limits			
Minimum weighing range	2 kg	4 kg	10 kg
Repeatability	0.15 kg	0.30 kg	0.75 kg
Zeroing range	+ / - 6 kg	+ / - 12 kg	+ / - 30 kg
Taring range	From 0 kg to maximum capacity		
Overload limit (Static)	350 kg	700 kg	1800 kg
Construction			
Height	76mm ±2mm		
Number of load cells	4		
Material	Standard static painted, optional stainless steel		
Protection class	IP65 / IP66 (optional)		
Holding handle	Standard		
Indicator			
Specifications	Supporting analog type load cell (Strain gauge based) connection and specified measurement sensitivities, All weighing indicators or terminals suitable for modular scale structure		

Sizes(mm)



*For special sizes, please contact Baykon.

Options



Stainless steel construction



Peripheral and wireless communication



Data collection software



IP66 (optional)