

Accurate, Reliable and Safe  
Overhead Weighing



## Crane Scales and Applications



**BAYKON**  
Industrial Weighing Systems

# Accuracy and Functionality ...



BAYKON BWI-CSA, CSAX and CSR series crane scales are designed to attach to the crane hook for fast and practical weighing of heavy loads while being lifted. They are powered by rechargeable battery pack and have large LED or LCD display easy to read from long distance. BAYKON crane scales are available in wide range weighing capacity alternatives for different industries and can be transported easily in plant thanks to their compact, lightweight construction. These features along with their advanced weighing functions offer the most suitable and effective working conditions for the users.

BAYKON crane scales offers high precision and reliability with the highest safety for overhead weighing applications in different industries such as heavy industry, construction, transport, steel, paper etc. They are suitable for the applications of measuring and recording the weight value in production, warehouse, dispatch location of various industries and for some force measuring process.

## Precision Weighing

The highest accuracy is guaranteed with the load cells specially designed for tensile measurement and advanced electronics technologies.

## Rugged Structure

Thanks to damage and corrosion resistant cast housing integrated with high quality hook and shackle, ideal for heavy duty use in harsh industrial environment safely.



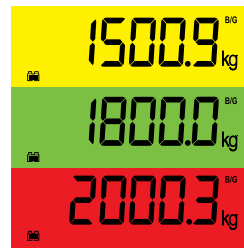
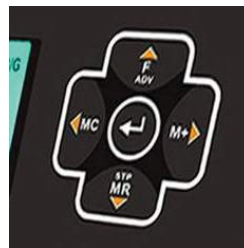
CSAX



CSR

## Functionality and easy use

Multi-color (for CSAX series), bright and easy readable displays, wireless data transfer and user friendly keys contribute exceptional functionalities to the basic and check weighing applications.



CSA



## Operation With Battery Pack

Baykon Crane scales provide extended operating time thanks to their long life rechargeable battery pack. With standby feature operating time can reach up to 60 hours.



## Remote Control

Besides keys, on select models, infrared or Bluetooth technology remote controller, allows users to utilize scales functions easily such as zeroing, printing, capture peak weight etc. at a distance of up to 20 m.



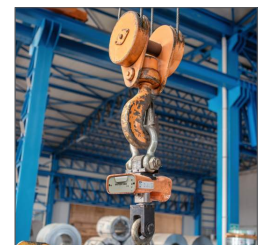
## Internal / External Printer

In basic weighing applications with convenient field conditions, on select models, the weighing label can be printed by internal thermal printer offered as an option. or with wireless communication option the weighing data can be transmitted to a printer within a distance up to 100m.



## Remote Displays

In case the display cannot be read from long distance or the weighing process requires, with wireless communication option, the weighing data can be transmitted in continuous form to Baykon remote displays offered in various dimensions.



## Tensile (Force) Measurement

Function of catching the peak value, offered as standard, is a precise and practical solution for tensile testing requiring pull off and breaking force measurement.

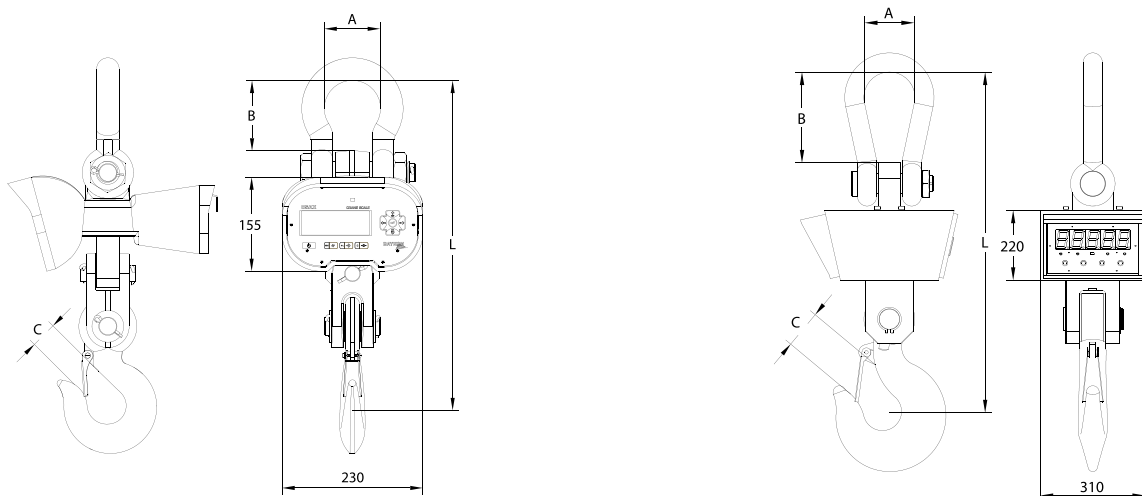
# Technical Specifications

Models	CSA				CSAX		CSAF
Capacity (kg)	1000	2000	3000	5000	3000 ( multi range )	5000 ( multi range )	≤ 5000
Increments (kg)	0,5	1	1	2	0,2 ( between 0~1500 kg ) 0,5 ( between 1500~3000 kg )	0,5 ( between 0~3000 kg ) 1 ( between 3000~5000 kg )	Defined specially according to the weighing process requirements
Stability time (s)	≤ 2				≤ 1		
Safe overload (kg)	1500	2500	4000	6000	4000	6500	
Ultimate overload (kg)	3000	5000	8000	12000	6000	12000	
Operating temperature	-10 °C ~ +60				-10 °C ~ +40		
Display type	5 digit LED in 38mm height				Wide angle, multicolor LCD with characters in 25mm height		Not applicable
Battery type	6V/7Ah Lead-acid battery				2000mAh Li-ion battery		12V/2.4Ah
Operation time*	≤ 36				≤ 40		Special
Remote controller	Standard ( Type 1 infrared )				Standard ( Type 2 infrared )		-
Internal printer	-				Optional		-
Wireless comm.	-				Optional ( Bluetooth Class1 or Wi-Fi )		
Functions	On /Off, zeroing, multiple taring, peak hold, net/ gross, kg/lb, low battery, auto sleep mode				In addition to the CSA model; Weighing and total memory, label printing to external or internal printer, external display or computer connection with wireless data output, functional display with color change		Special

Model	CSR			CSR/RF	CSF
Capacity (kg)	10000	20000	30000	≤ 30000	50000-100000
Increments (kg)	5	10	10	Defined according to the weighing process requirements	Special design Please contact BAYKON
Stability time (s)	≤ 2				
Safe overload (kg)	13000	25000	40000		
Ultimate overload (kg)	20000	40000	60000		
Operating temperature	-10 °C ~ +40 °C ( Compensated ) -15 °C ~ +70 °C ( Operational )			Not applicable	
Display type	38 mm in height 5 digit LED			12V/2.4Ah	
Battery type	6V/7Ah Lead-acid battery			Special	
Operation time*	≤ 36			-	
Remote controller	Standard ( Infrared )			-	
Internal printer	-			-	
Wireless comm.	Optional ( Bluetooth Class1 )			-	
Functions	On /Off, zeroing, multiple taring, peak hold, net/ gross, kg/lb, low battery, auto sleep mode			Special	

\* For use after full charge without options ( with auto sleep mode off )

# Dimensions



	A ± 10 (mm)	B ± 20 (mm)	C ± 10 (mm)	L ± 30 (mm)
CSA/CSAX/CSAF-1000	58	83	30	420
CSA/CSAX/CSAF-2000	58	83	30	420
CSA/CSAX/CSAF-3000	58	83	30	420
CSA/CSAX/CSAF-5000	92	135	45	585

	A ± 10 (mm)	B ± 20 (mm)	C ± 10 (mm)	L ± 30 (mm)
CSR/CSR/RF-10000	105	140	70	850
CSR/CSR/RF-20000	150	180	80	950
CSR/CSR/RF-30000	165	215	90	1120



## Customized Applications



### Data Collecting & Transfer

During operation the weighing value is transmitted automatically to hand held terminal via Wi-Fi or Bluetooth. And then, this info along with the product info entered to the terminal as barcode or qr code is transferred to the host computer online / offline.



### Operation in High Temperature

With the heat protected crane scales applications, raw material control can be achieved quickly and effectively in foundries, melting operations, filling of molds etc. Heat resistance structure and heat shield are available as an option.



### Weighing of Very High Capacities

In addition to the standard models, with the customized solutions it is possible to weigh accurately very heavy load ranging from 50 to 200 tons by hanging from single or multiple points.



### Weight Measurements For Safety Purpose

For safety purpose you can easily monitor the weight with hook or shackle integrated with Baykon pin type special load cell. The programmed overload value is provided as a contact output with a suitable equipment or system.



### Compound Weighing

Especially it is implemented into the travers or overhead crane systems. It is a precise weighing method of the load at least lifted from two points by using the crane scales. Generally, it is used for weighing paper coil or measuring the coating material consumption in coating process such as galvanizing

## Connectable Peripherals

