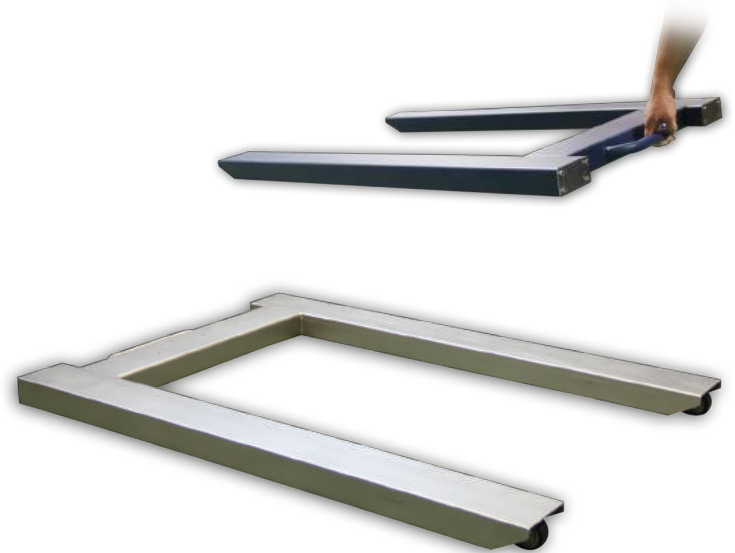


# BU Pallet Scale

Mobile, fast and easy weighing



## Ergonomic Design

- Easy portability with lightweight and integrated wheels
- Optional battery operation
- Depending on industrial environment, static painted, galvanised or stainless steel construction
- Optionally use in hazardous areas



## Accurate and Reliable Weighing

- IP67 protected, OIML approved and high quality load cells
- Shock resistant robust construction
- Standard 1500kg&3000kg capacities with 1260x1000 mm size



## Functionality

- Application areas; Goods receiving and shipping, manufacturing, packaging
- Advanced or simple weighing applications; Labelling, formulation, piece counting, filling, formulation, classifying, checking or process integrations



BAYKON BU pallet scales provides easy loading and fast weighing with portable construction. It's practical and accurate weighing for loads with pallets. It is designed to supply accurate and reliable weighing for years in any kind of industrial environments.

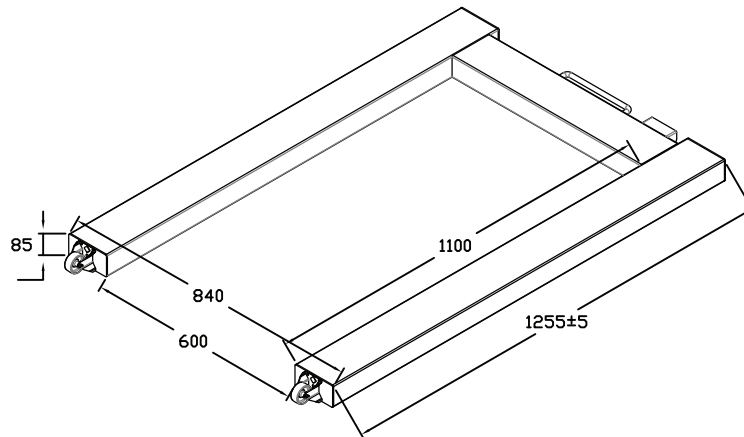
BAYKON BU pallet scales are compatible with OIML standards and it is produced according to European directives up to 2 x 3000d multi range accuracy classes.

BAYKON BU pallet scales are used in food, cosmetic, metal and metallurgy, logistic, chemical and in all industries at goods receiving and shipping, manufacturing, packaging application areas.

# Technical Specifications

Models	Weighing Capacities		
	1500 kg	3000 kg	
BU 1500	●		
BU 3000		●	
<b>Readability</b>			
OIML Approved	Single range	500 g	1 kg
	2 x 3000e Multi range	200 / 500 g	500 g / 1 kg
Non-approved industrial usage		100 g	200 g
<b>Measurement limits</b>			
Minimum weighing range	10 kg	20 kg	
Repeatability	0,15 kg	0,30 kg	
Zeroing range	+ / - 30 kg	+ / - 60 kg	
Taring range	From 0 kg to maximum capacity		
Overload limit (Static)	1800 kg	3200 kg	
<b>Construction</b>			
Fork height	85 mm		
Number of load cells	4		
Material	Standard static painted, optionally galvanised or stainless steel		
Protection class	IP67 / IP68		
Holding handle and wheels	Standard		
<b>Indicator</b>			
Specifications	All BAYKON indicators or terminals can be connected. Please refer to the brochure of the weighing instrument for detailed information.		

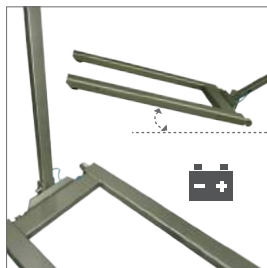
# Sizes(mm)



# Options



IP 68, stainless steel construction



Transport wheels, indicator column and battery



Peripheral and wireless communication



Data collection software



Ex-Proof

(Specifications are subject to change without notice. 01- 12 / 2016)