

CW1 In Motion Checkweighers

Precise control of packaged goods



High Speed and Accuracy

- Capacities up to 7500 g
- Display resolutions up to 0,1 g
- Throughput up to 200 weighing / minute
- Powerful adaptive digital filter
- Weight sensor function for fast processes
- Learn Mode for running optimization



User-friendly touch screen operation

- Colour touchscreen control panel 10"
- 199 article memory (Article name, tolerance weights and speed)
- Statistics and graphical monitoring
- Advanced reporting memory
- Speed control continuously variable by user control



Rugged and industrial design

- For all industries, especially food, chemistry, pharma
- Stainless steel conveyors and control panel
- IP54 hygienic design for easy cleaning
- Detachable or independent modular reject unit
- Easy to remove, modular conveyor structures and practice convertible PVC belts
- Height adjustable feet



Interfaces

- Standard RS232 / RS485 serial interface (Free Protocol, Modbus RTU)
- Standard Ethernet Interface (Modbus TCP)
- Internal weighing values transfer to USB memory
- Optional advanced Data Collection Software (Ethernet)



Baykon's CW1 In-line Checkweigher is designed for high speed automatic weight control and classification of pre-packaged products. The CW1 is reliable, economical and easy to use and weighs even the lightest parts at high speed with incredibly low error rates.

Designed to be compact and ergonomical the CW1's sleek design saves space in production areas and is manufactured in stainless steel for easy cleaning and to meet the high hygiene standards of food production and processing facilities.

A 10" colour touchscreen display provides a simple and intuitive user interface with instant monitoring and a graphical representation of the current production and production history. 199 PLUs can be stored in the CW1 memory all with a unique "Learn Mode" that automatically optimises the weighing parameters for the fastest and most accurate production run.

Available in 300g, 600g, 1500g, 3000g and 7500g capacities, the CW1 is an ideal choice for economical and reliable in-line checkweighing.

BAYKON
Industrial Weighing Systems

Advantages

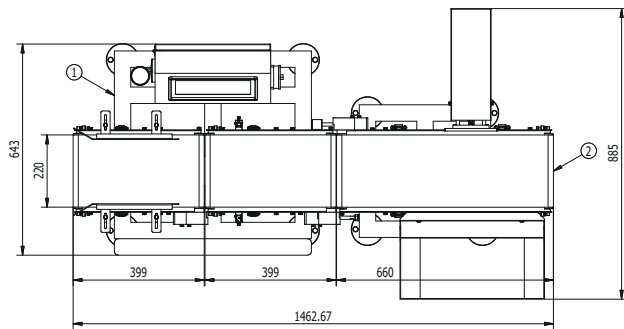
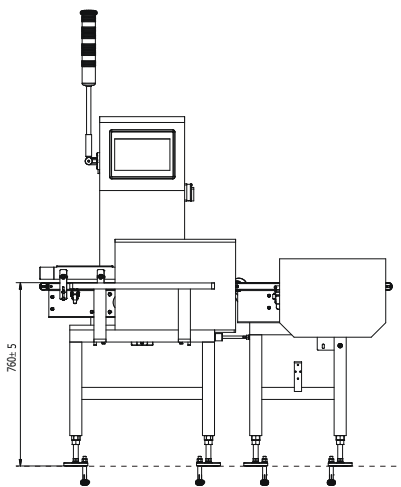
- Conveyors and panel are standard stainless steel (some necessary moving parts aluminum or plastic)
- Operator-friendly menus with 10" color and touchscreen panel with display weight value, status, instant graphical monitoring and dialogue menu texts including detailed statistical analyses.
- 199 Article Memory (Including alphanumeric article name, tolerance limits, belt speed and other configuration parameters)
- Speed Control Continuously variable by user control
- Weight sensor function for fast processes
- Powerful adaptive digital filter for fast and stable reading
- Weight classification of 5 zones
- Learn Mode for running optimization
- Standard RS232 / RS485 serial interface (Free Protocol, Modbus RTU)
- Standard Ethernet Interface (Modbus TCP)
- 3 Segment Stack Light and audible alarm
- Optional Inputs or Outputs: (Checkweigher Ready, Belt running, Fault etc...)
- Detail statistics reports and transferred to USB memory
- Process error messages
- Detachable or independent modular reject unit with sorting / rejecting device (Pusher / Air Jet / Flipper / Free - option)
- 4 Level Password Protected Security
- Data collection software for multi-use (Optional)
- Language selection (Turkish, English)
- 100-240 VAC, 50-60 Hz

CW1 Technical Specifications

Weight Capacity	300 g	600 g	1500 g	3000 g	7500 g
Accuracy	$\geq \pm 0,5$ g		$\geq \pm 1$ g		$\geq \pm 2$ g
Display resolution**	0.1 g / 0.2 g		0.5 g / 1 g		1 g / 2 g
Throughput (weighings / minute)**	Max. 200		Max. 110		Max. 60
Certification	CE				
Operating temperature	0°... + 40 °C				
Max.product dimensions (W x L)**	210 x 280 mm				
Construction					
Conveyors	Stainless steel (SUS304)				
Control cabinet ①	Stainless steel (SUS304)				
Chasis	Standard painted steel / Optional stainless steel				
Protection	IP54 / IP65 (Optional)				
Conveyor speed (memory by article)	0,3 – 1,2 m/sn		0,2 – 1 m/sn		0,1 – 0,5 m/sn
Infeed conveyor (W x L)	220 x 400 mm				
Weighing conveyor (W x L)	220 x 400 mm				
Reject conveyor (W x L) ②	Optional				
Sorting / rejecting device **	Pusher / Air Jet		Pusher		Pusher / Special
Belt material	White Thermoplastic Polyurethane				
Conveyor height	Standard 750 mm – 900 mm adjustable				

** Depends on the weight, dimensions, throughput-rate and particular application.of the product type

Sizes(mm)



Specifications are subject to change without notice. 04- 02 / 2021