



More information on the website  
radwag.com/tr/info,w1,lz1

# AS 62.X2 PLUS Analytical Balance



The drawings, photos and graphics used are for illustrative purposes only.

## Fonksiyonlar



Autotest



Dosing



Percent Weighing



Parts counting



Peak hold



Formulation



Newton unit measurement



Statistics



Checkweighing



IR sensors



Under-pan weighing



GLP Procedures



Animal weighing



Density determination



Ambient conditions monitoring



Replaceable unit



Statistical Quality Control



ALIBI Memory



Mass for titrator



Wi-Fi

## Teknik Veriler

Maximum capacity [Max]	62 g
Minimum load	1 mg
Readability [d]	0,01 mg
Verification unit [e]	1 mg

Dara aralığı	-62 g
Standard repeatability [5% Max]	0,01 mg
Standard repeatability [Max]	0,017 mg
Standard minimum weight (USP)	20 mg
Standard minimum weight (U=1%, k=2)	2 mg
Permissible repeatability [5% Max]	0,02 mg
Permissible repeatability [Max]	0,03 mg
Doğrusallık	±0,05 mg
Kararlılık süresi	3 s
Ayarlama	internal (automatic)
OIML Class	I
<b>Physical parameters</b>	
Leveling system	semi-automatic - LevelSENSING
Display	5" graphic color touchscreen
IP Sınıfı	IP 43
Delivery components	Balance, weighing pan, weighing pan shield, centring ring, bottom cover, power supply, fabric dust cover.
Weighing chamber dimensions	190×190×222 mm
Weighing pan dimensions	ø90 open-work pan + ø85 (option) mm
Packaging dimensions	545×455×575 mm
Net weight	7,3 kg
Brüt ağırlık	9,3 kg
<b>Features of use</b>	
Veri tabanı kapasitesi	7
Touch-free operation	2 IR Sensors
<b>Haberleşme arayüzü</b>	
Haberleşme arayüzü	RS232 <sup>1</sup> , 2×USB-A (interchangeable), USB-B, Wi-Fi, Ethernet
<b>Güç kaynağı</b>	
Güç kaynağı	Adapter: 100 – 240V AC 50/60Hz 0,6A; 12V DC 1,2A Balance: 12 – 15V DC 0,8A max
Maksimum güç tüketimi	4 W
<b>Çalıştırma sıcaklığı</b>	
Çalıştırma sıcaklığı	+10 ÷ +40 °C
<b>Ambient conditions monitoring</b>	
Ambient conditions monitoring	THBR 2.0 System, THBR BOX, THB P, THB W, THB S
<b>Atmosferik nem</b>	
Atmosferik nem	40% ÷ 80%

\* Wi-Fi® is a registered trademark of Wi-Fi® Alliance.



Extra payment for verification



## Aksesuarlar

Antivibrasyon masaları  
Güç adaptörü  
Barkod okuyucu

Display  
Protective cover for balances  
Weighing dishes

Çakmak prizine uygun besleme kabloları  
Yoğunluk belirleme kiti  
USB kablo (terazi-Epson yazıcı)  
Professional weighing table  
Workstation for pipettes calibration  
THBR 2.0 System - Ambient Conditions Monitoring

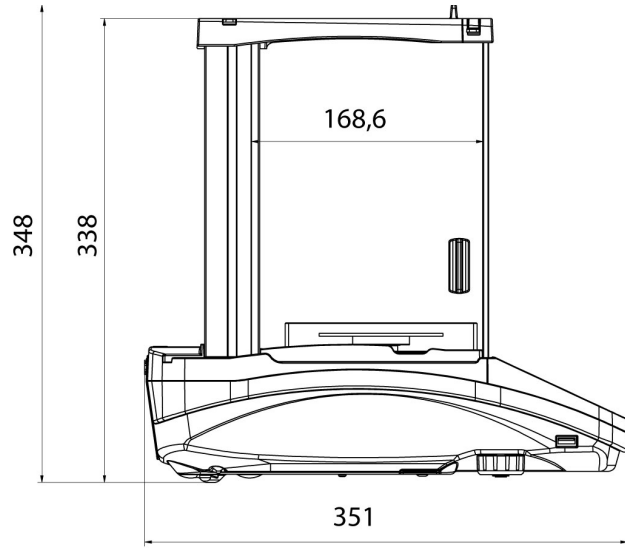
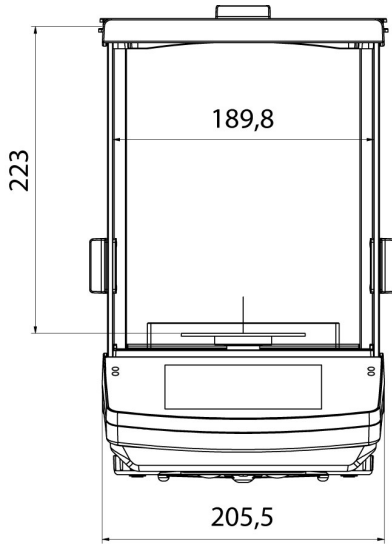
Antistatik iyonizer  
Fiş yazıcı  
RS 232, RS 485 cables  
Under-pan weighing  
RS 232 cables (scale - printer)  
RS 232 – RS 485 Converter

## Yazılım

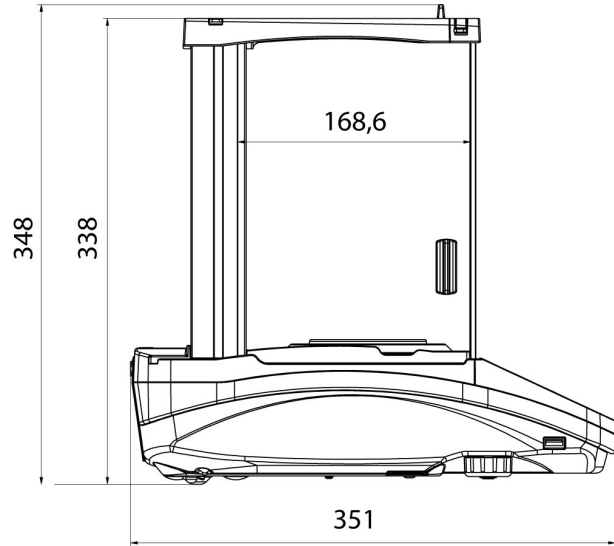
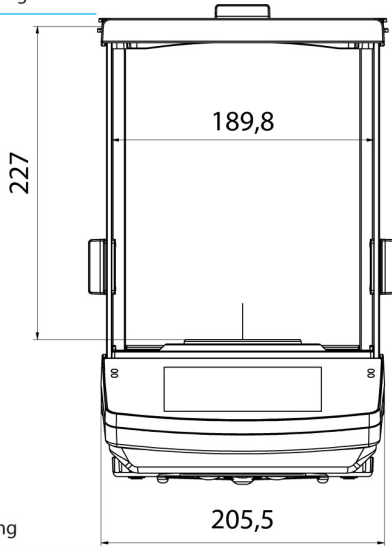
RAD-KEY  
THB-R  
R-LAB  
E2R System

LabVIEW Driver  
Alibi Reader  
RADWAG Development Studio  
R.Barcode

## Cihaz boyutları



AS X2 PLUS, d = 0.01 mg



AS X2 PLUS, d = 0.1 mg