



More information on the website  
radwag.com/tr/info,w1,DP0

## AS 62.R2 PLUS Analitik Terazı



The drawings, photos and graphics used are for illustrative purposes only.

### Teknik Veriler

|                                     |                      |
|-------------------------------------|----------------------|
| Maximum capacity [Max]              | 62 g                 |
| Minimum load                        | 1 mg                 |
| Readability [d]                     | 0,01 mg              |
| Verification unit [e]               | 1 mg                 |
| Dara aralıđı                        | -62 g                |
| Standard repeatability [5% Max]     | 0,012 mg             |
| Standard repeatability [Max]        | 0,02 mg              |
| Standard minimum weight (USP)       | 24 mg                |
| Standard minimum weight (U=1%, k=2) | 2,4 mg               |
| Permissible repeatability [5% Max]  | 0,02 mg              |
| Permissible repeatability [Max]     | 0,035 mg             |
| Dođrusallık                         | $\pm 0,05$ mg        |
| Kararlılık süresi                   | 2 s                  |
| Ayarlama                            | internal (automatic) |
| OIML Class                          | I                    |

| Physical parameters     |   |
|-------------------------|---|
| Leveling system         | manual  |
| Display                 | LCD (backlit)   |
| IP Sınıfı               | IP 43   |
| Delivery components     | Balance, weighing pan, weighing pan shield, centring ring, bottom cover, power supply, fabric dust cover. |
| Weighing pan dimensions | ø90 + ø85 (option) mm   |
| Packaging dimensions    | 545×455×575 mm  |
| Net weight              | 7 kg  |
| Brüt ağırlık            | 11 kg   |
|                         |   |
| Haberleşme arayüzü      | 2×RS232 <sup>1</sup> , 2×USB-A (interchangeable), USB-B, Wi-Fi (option)                                   |
|                         |   |
| Güç kaynağı             | Adapter: 100 – 240V AC 50/60Hz 0,6A; 12V DC 1,2A<br>Balance: 12 – 15V DC 0,4A max                         |
| Maksimum güç tüketimi   | 3 W   |
|                         |   |
| Çalıştırma sıcaklığı    | +10 ÷ +40 °C  |
| Atmosferik nem          | 40% ÷ 80%   |

\* Wi-Fi® is a registered trademark of Wi-Fi® Alliance.



Extra payment for verification



## Aksesuarlar

Antivibrasyon masaları  
Barkod okuyucu  
Çakmak prizine uygun besleme kabloları  
USB kablo (terazi-Epson yazıcı)  
Professional weighing table  
Workstation for pipettes calibration  
Güç adaptörü  
Display

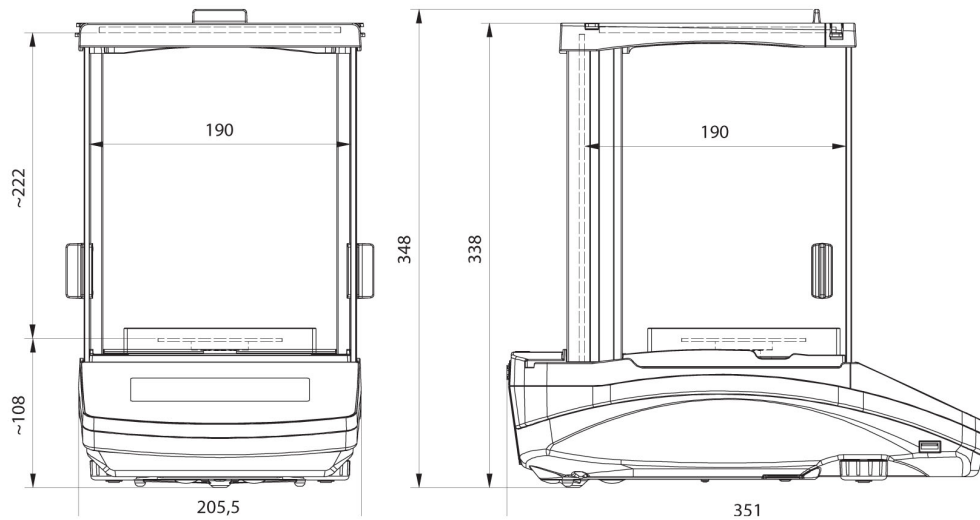
Protective cover for balances  
Weighing dishes  
Antistatik iyonizer  
Fiş yazıcı  
RPANEL BOX  
RS 232, RS 485 cables  
Under-pan weighing  
RS 232 cables (scale - printer)

## Yazılım

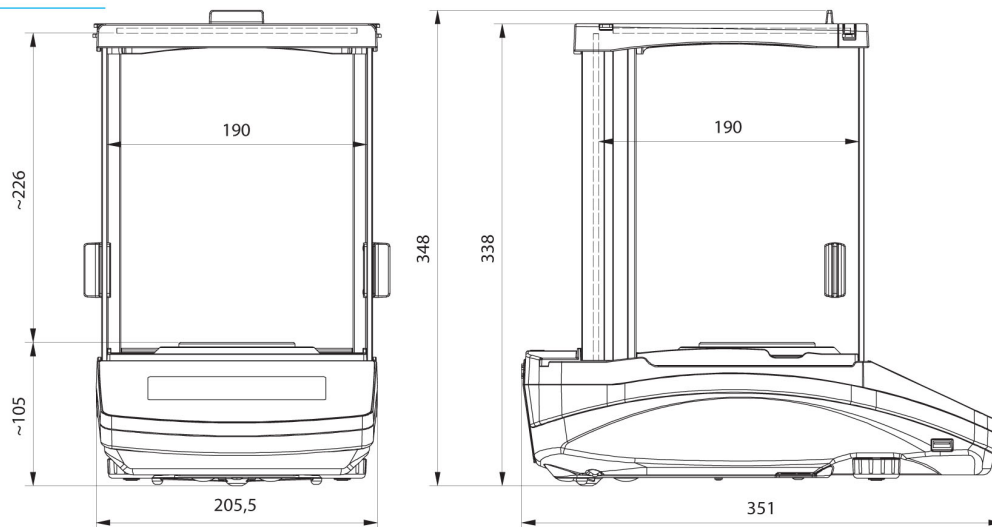
RAD-KEY  
R Panel  
R-LAB  
E2R System

LabVIEW Driver  
Alibi Reader  
RADWAG Development Studio  
R.Barcode

## Cihaz boyutları



AS R2, d = 0.01 mg



AS R2, AS R1 d = 0.1 mg