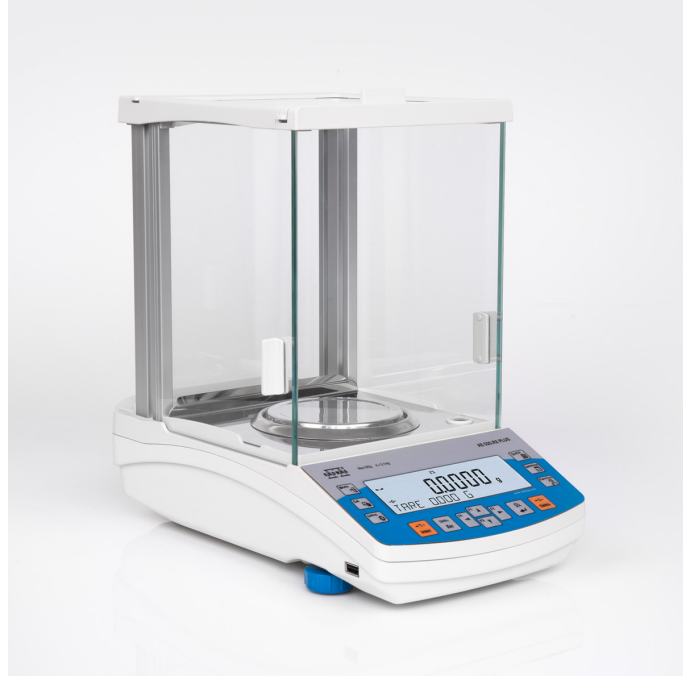




More information on the website  
radwag.com/tr/info,w1,N7Z

## AS 520.R2 PLUS Analitik Terazı



The drawings, photos and graphics used are for illustrative purposes only.

### Fonksiyonlar



Autotest



Dosing



Percent Weighing



Totalizing



Parts counting



Peak hold



Newton unit  
measurement



Statistics



Checkweighing



Under-pan weighing



GLP Procedures



Animal weighing



Density determination

### Teknik Veriler

Maximum capacity [Max]	520 g
Minimum load	-
Readability [d]	0,1 mg
Verification unit [e]	-
Dara aralıđı	-520 g
Standard repeatability [5% Max]	0,08 mg

Standard repeatability [Max]	0,25 mg
Standard minimum weight (USP)	160 mg
Standard minimum weight (U=1%, k=2)	16 mg
Permissible repeatability [5% Max]	0,12 mg
Permissible repeatability [Max]	0,4 mg
Doğrusallık	±0,6 mg
Kararlılık süresi	2,5 s
Ayarlama	internal (automatic)
OIML Class	-
<b>Physical parameters</b>	
Leveling system	manual
Display	LCD (backlit)
IP Sınıfı	IP 43
Delivery components	Balance, weighing pan, weighing pan shield, bottom cover, power supply.
Weighing pan dimensions	ø100 mm
Packaging dimensions	495×400×515 mm
Net weight	7,3 kg
Brüt ağırlık	9,3 kg
Haberleşme arayüzü	2×RS232 <sup>1</sup> , 2×USB-A (interchangeable), USB-B, Wi-Fi (option)
Güç kaynağı	Adapter: 100 – 240V AC 50/60Hz 0,6A; 12V DC 1,2A Balance: 12 – 15V DC 0,4A max
Maksimum güç tüketimi	3 W
Çalıştırma sıcaklığı	+10 ÷ +40 °C
Atmosferik nem	40% ÷ 80%

\* Wi-Fi® is a registered trademark of Wi-Fi® Alliance.



## Aksesuarlar

Holders for laboratory flasks

Barkod okuyucu

Çakmak prizine uygun besleme kabloları

Yoğunluk belirleme kiti

USB kablo (terazi-Epson yazıcı)

Professional weighing table

Holders for test tubes and filters

Workstation for pipettes calibration

Güç adaptörü

Antivibrasyon masaları

Display

Protective cover for balances

Weighing dishes

Antistatik iyonizer

Fiş yazıcı

RPANEL BOX

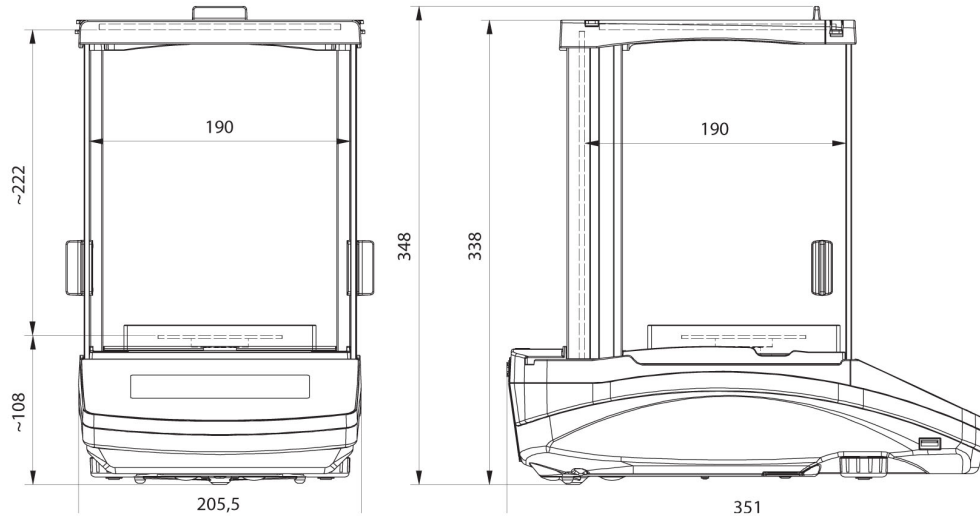
RS 232, RS 485 cables

Under-pan weighing

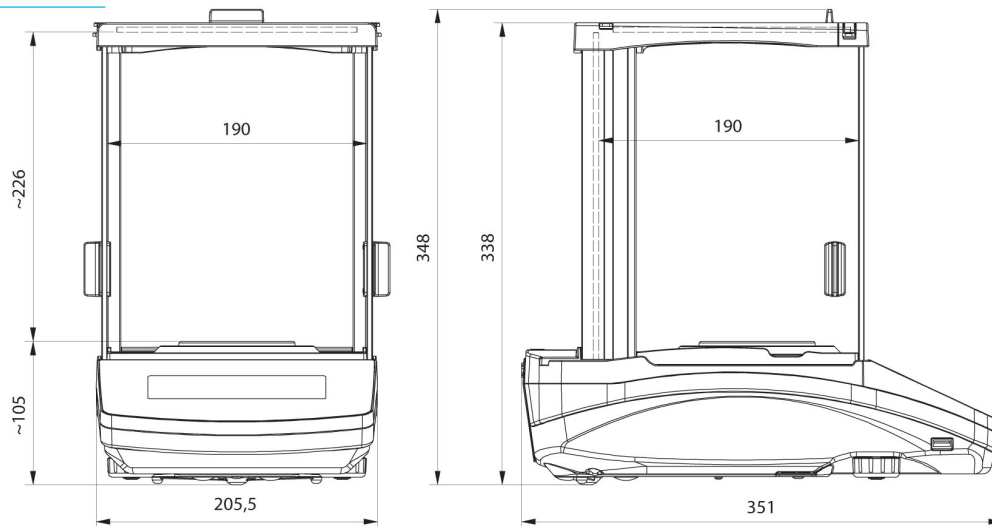
RS 232 cables (scale - printer)

## Yazılım

## Cihaz boyutları



AS R2, d = 0.01 mg



AS R2, AS R1 d = 0.1 mg