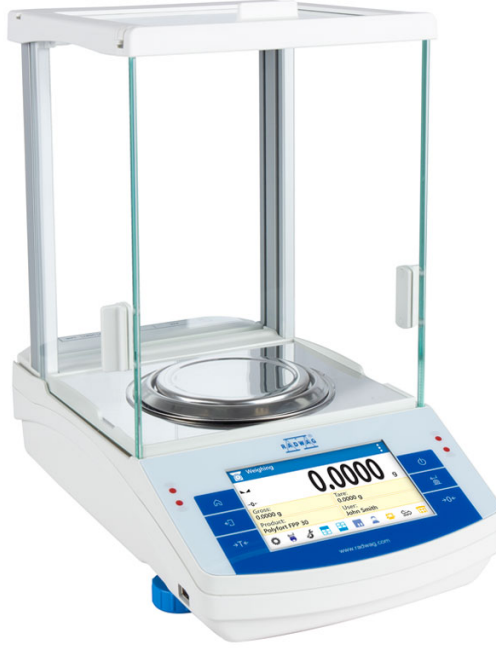




More information on the website  
radwag.com/tr/info,w1,X8U

## AS 310.X2 PLUS Analitik Terazı



The drawings, photos and graphics used are for illustrative purposes only.

### Fonksiyonlar



Autotest



Dosing



Percent Weighing



Parts counting



Peak hold



Formulation



Newton unit  
measurement



Statistics



Checkweighing



IR sensors



Under-pan weighing



GLP Procedures



Animal weighing



Density determination



Ambient conditions  
monitoring



Replaceable unit



Statistical Quality Control



ALIBI Memory



Mass for titrator



Wi-Fi

### Teknik Veriler

Maximum capacity [Max]	310 g
Minimum load	10 mg
Readability [d]	0,1 mg
Verification unit [e]	1 mg

Dara aralığı	-310 g
Standard repeatability [5% Max]	0,07 mg
Standard repeatability [Max]	0,1 mg
Standard minimum weight (USP)	140 mg
Standard minimum weight (U=1%, k=2)	14 mg
Permissible repeatability [5% Max]	0,12 mg
Permissible repeatability [Max]	0,15 mg
Doğrusallık	±0,2 mg
Kararlılık süresi	2,5 s
Ayarlama	internal (automatic)
OIML Class	I
<b>Physical parameters</b>	
Leveling system	semi-automatic - LevelSENSING
Display	5" graphic color touchscreen
IP Sınıfı	IP 43
Delivery components	Balance, weighing pan, weighing pan shield, bottom cover, power supply.
Weighing chamber dimensions	190×190×222 mm
Weighing pan dimensions	ø100 mm
Packaging dimensions	490×400×520 mm
Net weight	7,3 kg
Brüt ağırlık	9,3 kg
<b>Features of use</b>	
Veri tabanı kapasitesi	7
Touch-free operation	2 IR Sensors
<b>Haberleşme arayüzü</b>	
Haberleşme arayüzü	RS232, 2×USB-A (interchangeable), USB-B, Wi-Fi, Ethernet
<b>Güç kaynağı</b>	
Güç kaynağı	Adapter: 100 – 240V AC 50/60Hz 0,6A; 12V DC 1,2A Balance: 12 – 15V DC 0,8A max
Maksimum güç tüketimi	4 W
<b>Çalıştırma sıcaklığı</b>	
Çalıştırma sıcaklığı	+10 ÷ +40 °C
<b>Ambient conditions monitoring</b>	
Ambient conditions monitoring	THBR 2.0 System, THBR BOX, THB P, THB W, THB S
<b>Atmosferik nem</b>	
Atmosferik nem	40% ÷ 80%

\* Wi-Fi® is a registered trademark of Wi-Fi® Alliance.



Extra payment for verification



## Aksesuarlar

Antivibrasyon masaları  
Holders for laboratory flasks  
Barkod okuyucu

THBR 2.0 System - Ambient Conditions Monitoring  
Display  
Protective cover for balances

Çakmak prizine uygun besleme kabloları  
Yoğunluk belirleme kiti  
USB kablo (terazi-Epson yazıcı)  
Professional weighing table  
Holders for test tubes and filters  
Workstation for pipettes calibration  
Güç adaptörü

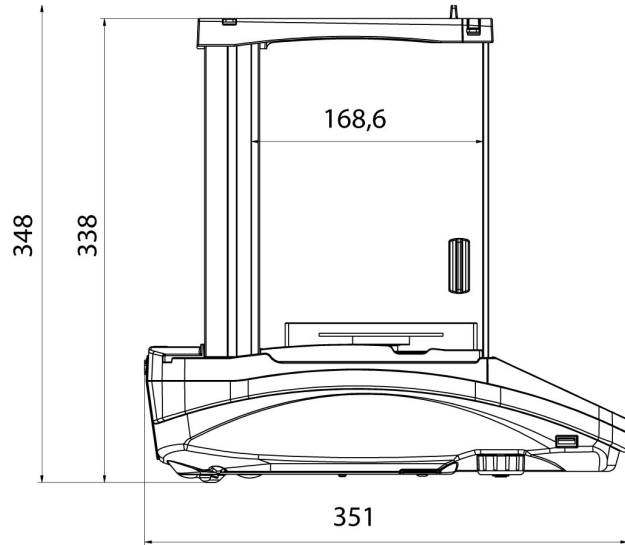
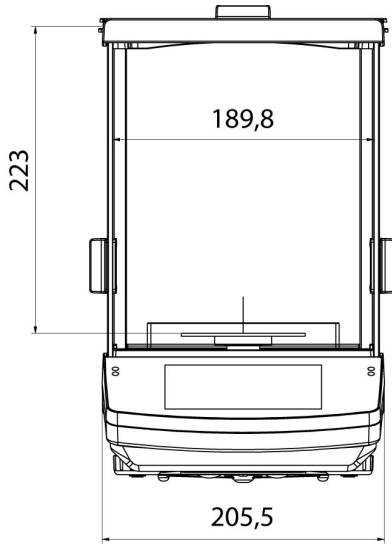
Weighing dishes  
Antistatik iyonizer  
Fiş yazıcı  
RS 232, RS 485 cables  
Under-pan weighing  
RS 232 cables (scale - printer)  
RS 232 – RS 485 Converter

## Yazılım

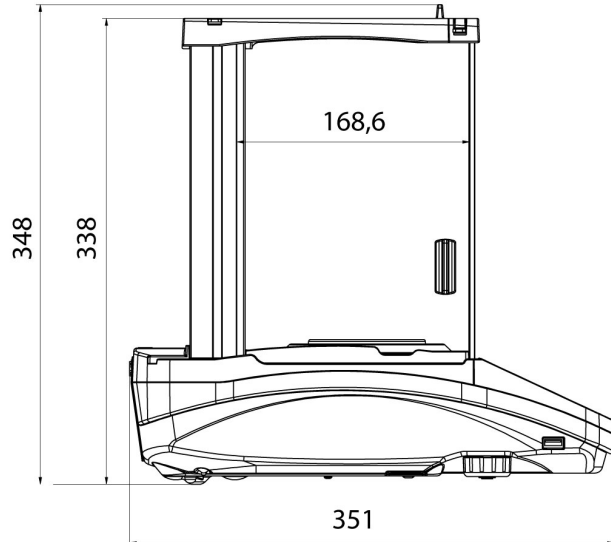
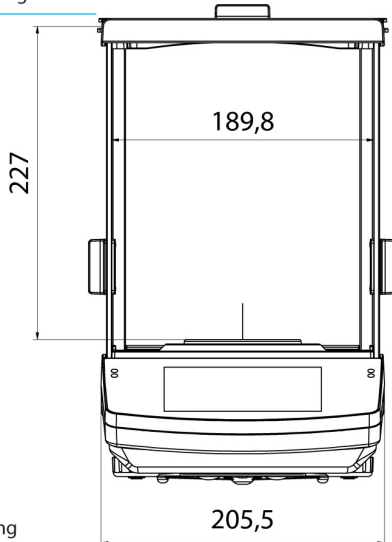
RAD-KEY  
THB-R  
R-LAB  
E2R System

LabVIEW Driver  
Alibi Reader  
RADWAG Development Studio  
R.Barcode

## Cihaz boyutları



AS X2 PLUS, d = 0.01 mg



AS X2 PLUS, d = 0.1 mg