



More information on the website  
radwag.com/tr/info,w1,B6V

# AS 3100.X2 PLUS Analytical Balance



The drawings, photos and graphics used are for illustrative purposes only.

## Fonksiyonlar



Autotest



Dosing



Percent Weighing



Parts counting



Peak hold



Formulation



Newton unit measurement



Statistics



Checkweighing



IR sensors



Under-pan weighing



GLP Procedures



Animal weighing



Density determination



Ambient conditions monitoring



Replaceable unit



Statistical Quality Control



ALIBI Memory



Mass for titrator



Wi-Fi

## Teknik Veriler

Maximum capacity [Max]	3,1 kg
Minimum load	-
Readability [d]	1 mg
Verification unit [e]	-

Dara aralığı	-3,1 kg
Standard repeatability [5% Max]	0,5 mg
Standard repeatability [Max]	0,6 mg
Standard minimum weight (USP)	1 g
Standard minimum weight (U=1%, k=2)	100 mg
Permissible repeatability [5% Max]	0,8 mg
Permissible repeatability [Max]	1 mg
Doğrusallık	±6 mg
Kararlılık süresi	2 s
Ayarlama	internal (automatic)
OIML Class	-
<b>Physical parameters</b>	
Leveling system	semi-automatic - LevelSENSING
Display	5" graphic color touchscreen
IP Sınıfı	IP 43
Delivery components	Balance, weighing pan, weighing pan shield, centring ring, bottom cover, power supply.
Weighing chamber dimensions	190×190×222 mm
Weighing pan dimensions	ø90 mm (open-work pan)
Packaging dimensions	495×400×515 mm
Net weight	7,3 kg
Brüt ağırlık	9,3 kg
<b>Features of use</b>	
Veri tabanı kapasitesi	7
Touch-free operation	2 IR Sensors
<b>Haberleşme arayüzü</b>	
Haberleşme arayüzü	RS232 <sup>1</sup> , 2×USB-A (interchangeable), USB-B, Wi-Fi, Ethernet
<b>Güç kaynağı</b>	
Güç kaynağı	Adapter: 100 – 240V AC 50/60Hz 0,6A; 12V DC 1,2A Balance: 12 – 15V DC 0,8A max
Maksimum güç tüketimi	4 W
<b>Çalıştırma sıcaklığı</b>	
Çalıştırma sıcaklığı	+10 ÷ +40 °C
<b>Ambient conditions monitoring</b>	
Ambient conditions monitoring	THBR 2.0 System, THBR BOX, THB P, THB W, THB S
<b>Atmosferik nem</b>	
Atmosferik nem	40% ÷ 80%

\* Wi-Fi® is a registered trademark of Wi-Fi® Alliance.



## Aksesuarlar

Antivibrasyon masaları  
Holders for laboratory flasks  
Barkod okuyucu

Display  
Protective cover for balances  
Weighing dishes

Çakmak prizine uygun besleme kabloları  
Yoğunluk belirleme kiti  
USB kablo (terazi-Epson yazıcı)  
Professional weighing table  
Holders for test tubes and filters  
Workstation for pipettes calibration

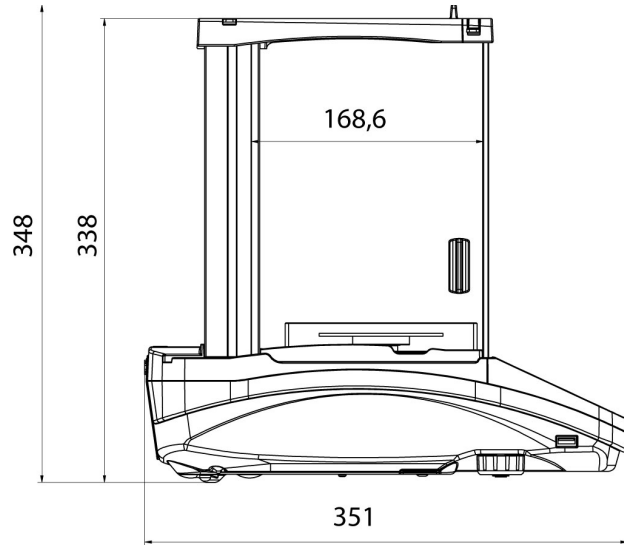
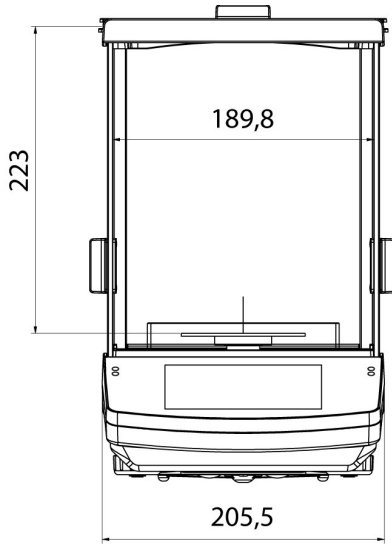
Antistatik iyonizer  
Fiş yazıcı  
RS 232, RS 485 cables  
Under-pan weighing  
RS 232 cables (scale - printer)  
RS 232 – RS 485 Converter

## Yazılım

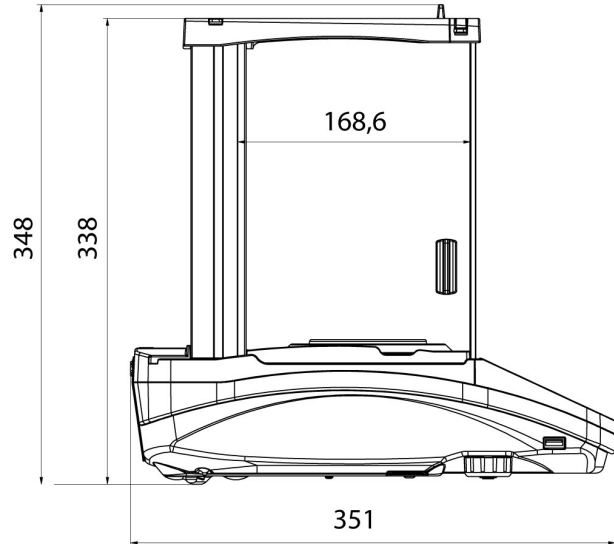
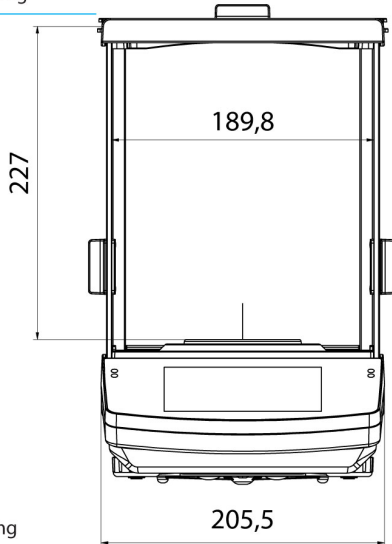
RAD-KEY  
Alibi Reader  
RADWAG Development Studio  
R.Barcode

LabVIEW Driver  
R-LAB  
E2R System

## Cihaz boyutları



AS X2 PLUS, d = 0.01 mg



AS X2 PLUS, d = 0.1 mg