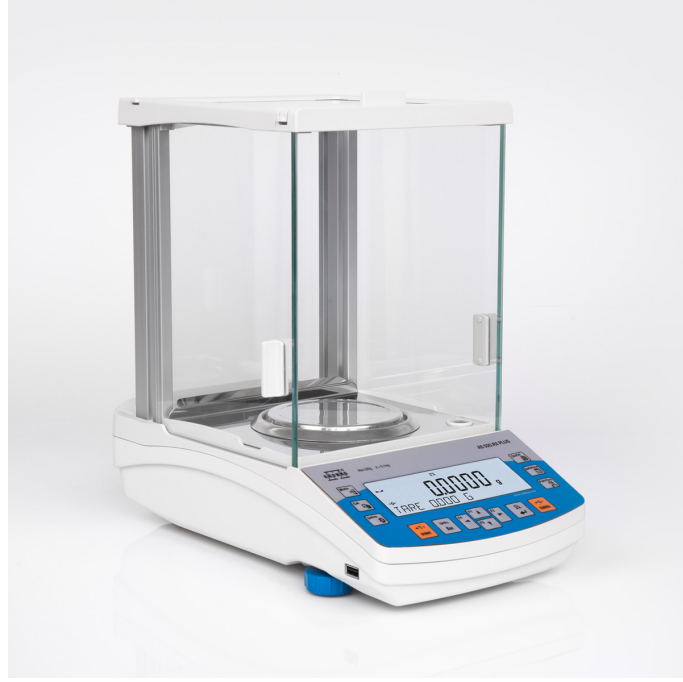




More information on the website
radwag.com/tr/info,w1,QM0

AS 160.R2 PLUS Analitik Terazı



The drawings, photos and graphics used are for illustrative purposes only.

Fonksiyonlar



Autotest



Dosing



Percent Weighing



Totalizing



Parts counting



Peak hold



Newton unit
measurement



Statistics



Checkweighing



Under-pan weighing



GLP Procedures



Animal weighing



Density determination

Teknik Veriler

Maximum capacity [Max]	160 g
Minimum load	10 mg
Readability [d]	0,1 mg
Verification unit [e]	1 mg
Dara aralıđı	-160 g
Standard repeatability [5% Max]	0,07 mg

Standard repeatability [Max]	0,08 mg
Standard minimum weight (USP)	140 mg
Standard minimum weight (U=1%, k=2)	14 mg
Permissible repeatability [5% Max]	0,09 mg
Permissible repeatability [Max]	0,1 mg
Doğrusallık	±0,2 mg
Kararlılık süresi	2 s
Ayarlama	internal (automatic)
OIML Class	I
Physical parameters	
Leveling system	manual
Display	LCD (backlit)
IP Sınıfı	IP 43
Delivery components	Balance, weighing pan, weighing pan shield, centring ring, bottom cover, power supply.
Weighing pan dimensions	ø100 mm
Packaging dimensions	490×400×520 mm
Net weight	7 kg
Brüt ağırlık	9 kg
Haberleşme arayüzü	2×RS232 ¹ , 2×USB-A (interchangeable), USB-B, Wi-Fi (option)
Güç kaynağı	Adapter: 100 – 240V AC 50/60Hz 0,6A; 12V DC 1,2A Balance: 12 – 15V DC 0,4A max
Maksimum güç tüketimi	3 W
Aşırı gerilim koruması	YES
Çalıştırma sıcaklığı	+10 ÷ +40 °C
Atmosferik nem	40% ÷ 80%

* Wi-Fi® is a registered trademark of Wi-Fi® Alliance.



Extra payment for verification



Aksesuarlar

Holders for laboratory flasks

Barkod okuyucu

Çakmak prizine uygun besleme kabloları

Yoğunluk belirleme kiti

USB kablo (terazi-Epson yazıcı)

Professional weighing table

Holders for test tubes and filters

Workstation for pipettes calibration

Güç adaptörü

Antivibrasyon masaları

Display

Protective cover for balances

Weighing dishes

Antistatik iyonizer

Fiş yazıcı

RPANEL BOX

RS 232, RS 485 cables

Under-pan weighing

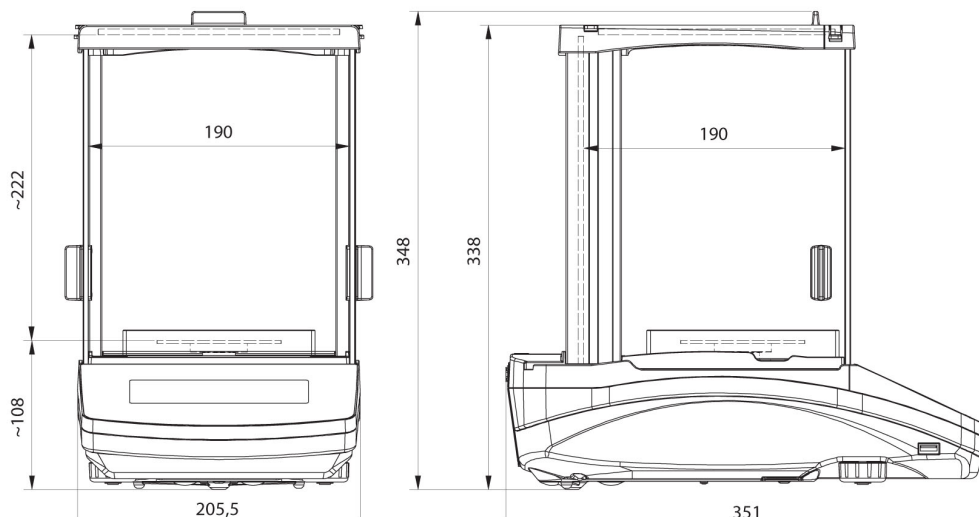
RS 232 cables (scale - printer)

Yazılım

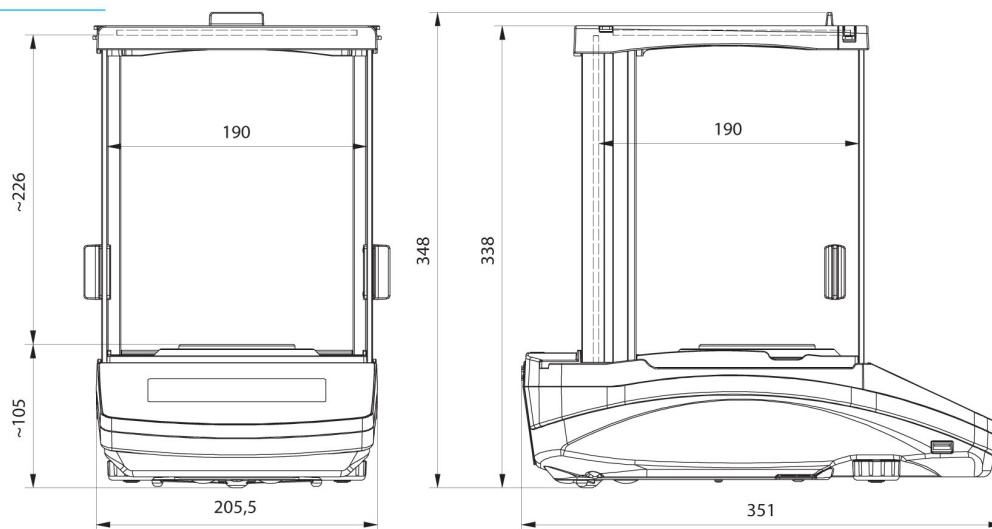
RAD-KEY
R Panel
R-LAB
E2R System

LabVIEW Driver
Alibi Reader
RADWAG Development Studio
R.Barcode

Cihaz boyutları



AS R2, d = 0.01 mg



AS R2, AS R1 d = 0.1 mg