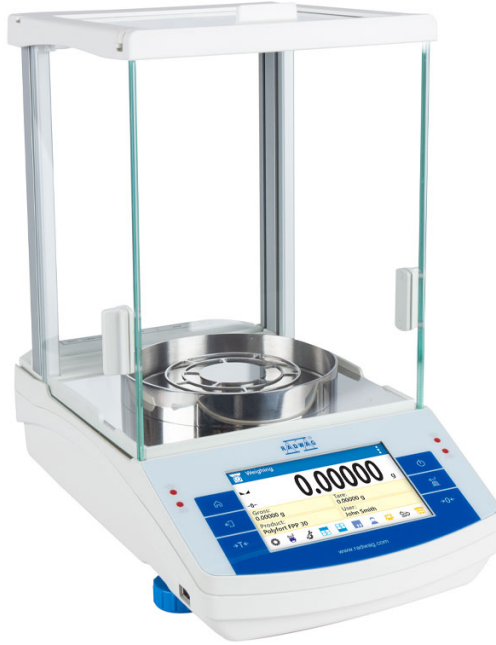




More information on the website
radwag.com/tr/info,w1,68V

AS 120.X2 PLUS Analytical Balance



The drawings, photos and graphics used are for illustrative purposes only.

Fonksiyonlar



Autotest



Dosing



Percent Weighing



Parts counting



Peak hold



Formulation



Newton unit measurement



Statistics



Checkweighing



IR sensors



Under-pan weighing



GLP Procedures



Animal weighing



Density determination



Ambient conditions monitoring



Replaceable unit



Statistical Quality Control



ALIBI Memory



Mass for titrator



Wi-Fi

Teknik Veriler

Maximum capacity [Max]	120 g
Minimum load	1 mg
Readability [d]	0,01 mg
Verification unit [e]	1 mg

Dara aralığı	-120 g
Standard repeatability [5% Max]	0,01 mg
Standard repeatability [Max]	0,025 mg
Standard minimum weight (USP)	20 mg
Standard minimum weight (U=1%, k=2)	2 mg
Permissible repeatability [5% Max]	0,02 mg
Permissible repeatability [Max]	0,04 mg
Doğrusallık	±0,07 mg
Kararlılık süresi	2 s
Ayarlama	internal (automatic)
OIML Class	I
Physical parameters	
Leveling system	semi-automatic - LevelSENSING
Display	5" graphic color touchscreen
IP Sınıfı	IP 43
Delivery components	Balance, weighing pan, weighing pan shield, centring ring, bottom cover, power supply, fabric dust cover.
Weighing chamber dimensions	190×190×222 mm
Weighing pan dimensions	ø90 + ø85 (option) mm
Packaging dimensions	495×400×515 mm
Net weight	7,3 kg
Brüt ağırlık	9,3 kg
Features of use	
Veri tabanı kapasitesi	7
Touch-free operation	2 IR Sensors
Haberleşme arayüzü	
Haberleşme arayüzü	RS232 ¹ , 2×USB-A (interchangeable), USB-B, Wi-Fi, Ethernet
Güç kaynağı	
Güç kaynağı	Adapter: 100 – 240V AC 50/60Hz 0,6A; 12V DC 1,2A Balance: 12 – 15V DC 0,8A max
Maksimum güç tüketimi	4 W
Çalıştırma sıcaklığı	
Çalıştırma sıcaklığı	+10 ÷ +40 °C
Ambient conditions monitoring	
Ambient conditions monitoring	THBR 2.0 System, THBR BOX, THB P, THB W, THB S
Atmosferik nem	
Atmosferik nem	40% ÷ 80%

* Wi-Fi® is a registered trademark of Wi-Fi® Alliance.



Extra payment for verification



Aksesuarlar

Antivibrasyon masaları
Barkod okuyucu
Çakmak prizine uygun besleme kabloları

Display
Protective cover for balances
Weighing dishes

Yoğunluk belirleme kiti
USB kablo (terazi-Epson yazıcı)
Professional weighing table
Workstation for pipettes calibration
Güç adaptörü
THBR 2.0 System - Ambient Conditions Monitoring

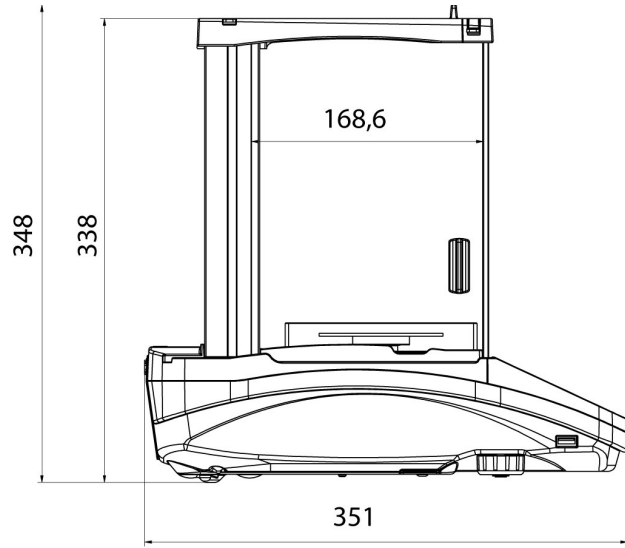
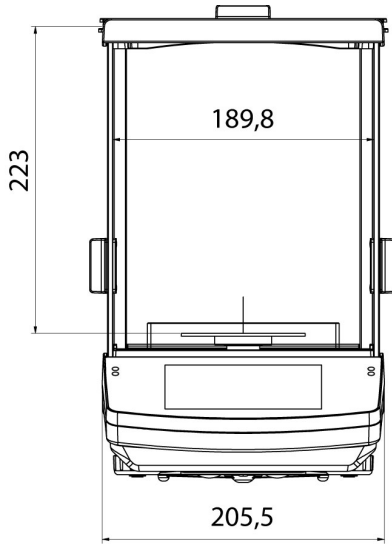
Antistatik iyonizer
Fiş yazıcı
RS 232, RS 485 cables
Under-pan weighing
RS 232 cables (scale - printer)
RS 232 – RS 485 Converter

Yazılım

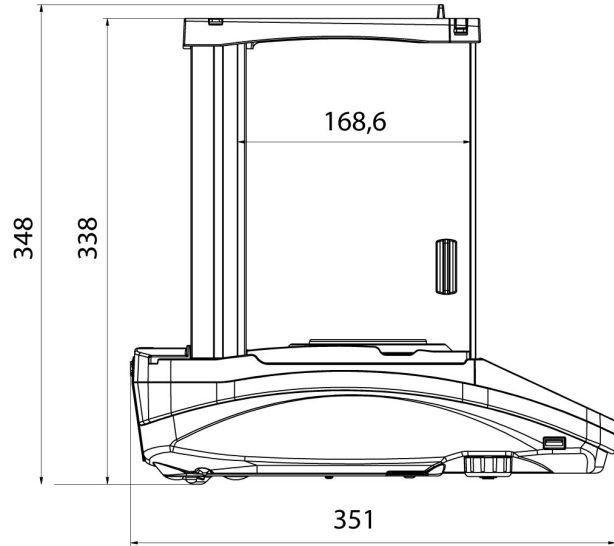
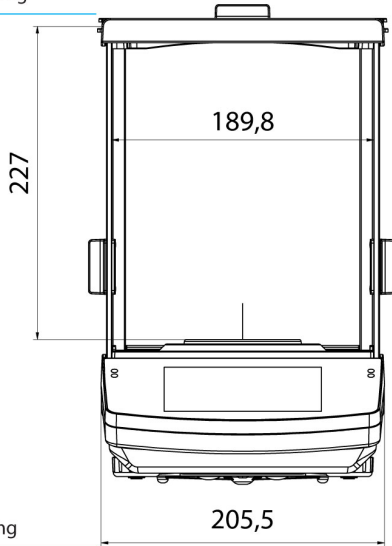
RAD-KEY
THB-R
R-LAB
E2R System

LabVIEW Driver
Alibi Reader
RADWAG Development Studio
R.Barcode

Cihaz boyutları



AS X2 PLUS, d = 0.01 mg



AS X2 PLUS, d = 0.1 mg