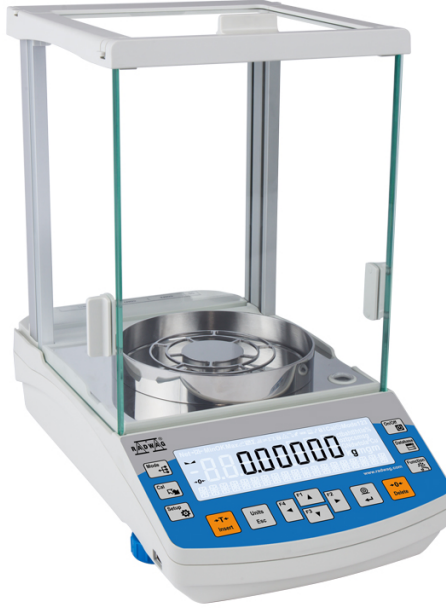




More information on the website
radwag.com/tr/info,w1,YXA

AS 120.R2 PLUS Analitik Terazii



The drawings, photos and graphics used are for illustrative purposes only.

Teknik Veriler

Maximum capacity [Max]	120 g
Minimum load	1 mg
Readability [d]	0,01 mg
Verification unit [e]	1 mg
Dara aralıđı	-120 g
Standard repeatability [5% Max]	0,012 mg
Standard repeatability [Max]	0,03 mg
Standard minimum weight (USP)	24 mg
Standard minimum weight (U=1%, k=2)	2,4 mg
Permissible repeatability [5% Max]	0,02 mg
Permissible repeatability [Max]	0,05 mg
Dođrusallık	$\pm 0,07$ mg
Kararlılık süresi	2 s
Ayarlama	internal (automatic)
OIML Class	I

Physical parameters	
Leveling system	manual
Display	LCD (backlit)
IP Sınıfı	IP 43
Delivery components	Balance, weighing pan, weighing pan shield, centring ring, bottom cover, power supply, fabric dust cover.
Weighing pan dimensions	ø90 + ø85 (option) mm
Packaging dimensions	495×400×515 mm
Net weight	7,3 kg
Brüt ağırlık	9,3 kg
Haberleşme arayüzü	2×RS232 ¹ , 2×USB-A (interchangeable), USB-B, Wi-Fi (option)
Güç kaynağı	Adapter: 100 – 240V AC 50/60Hz 0,6A; 12V DC 1,2A Balance: 12 – 15V DC 0,4A max
Maksimum güç tüketimi	3 W
Çalıştırma sıcaklığı	+10 ÷ +40 °C
Atmosferik nem	40% ÷ 80%

* Wi-Fi® is a registered trademark of Wi-Fi® Alliance.



Extra payment for verification



Aksesuarlar

Antivibrasyon masaları
Barkod okuyucu
Çakmak prizine uygun besleme kabloları
USB kablo (terazi-Epson yazıcı)
Professional weighing table
Workstation for pipettes calibration
Güç adaptörü
Display

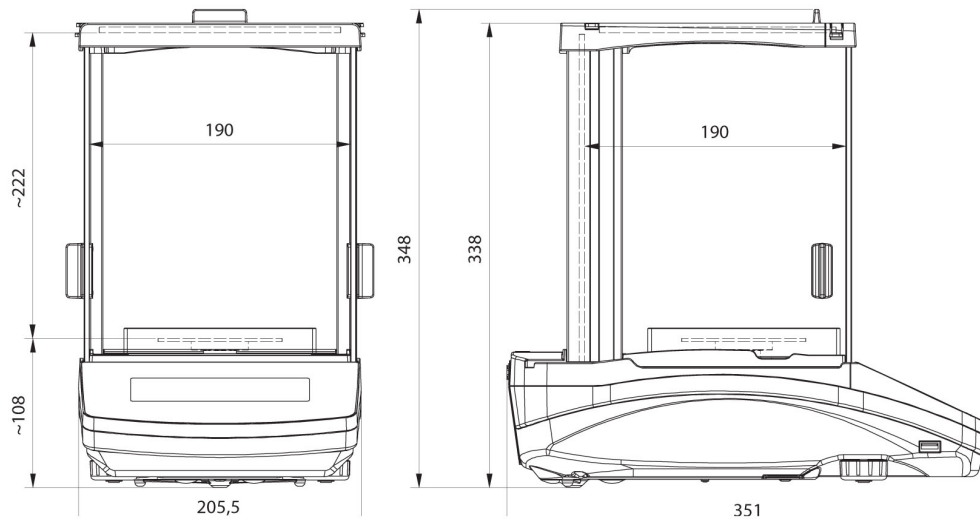
Protective cover for balances
Weighing dishes
Antistatik iyonizer
Fiş yazıcı
RPANEL BOX
RS 232, RS 485 cables
Under-pan weighing
RS 232 cables (scale - printer)

Yazılım

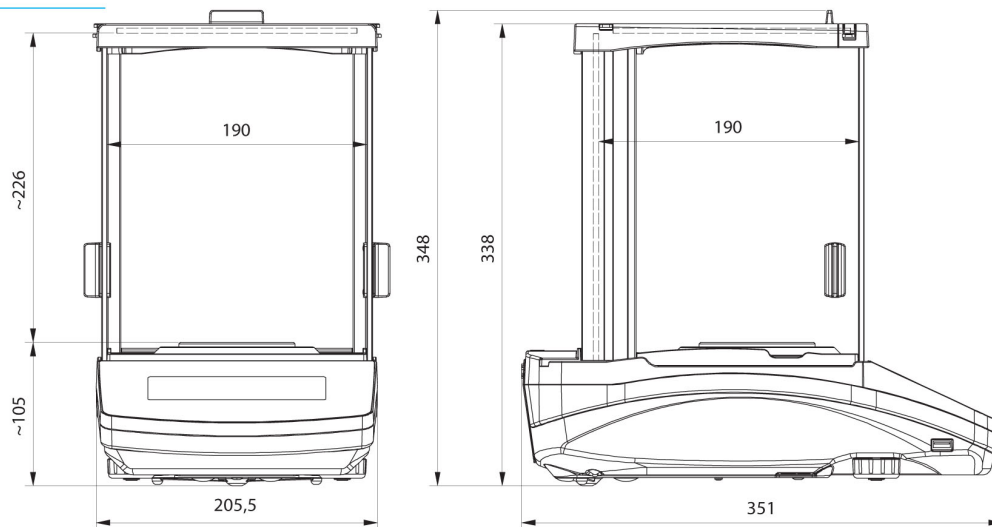
RAD-KEY
R Panel
R-LAB
E2R System

LabVIEW Driver
Alibi Reader
RADWAG Development Studio
R.Barcode

Cihaz boyutları



AS R2, d = 0.01 mg



AS R2, AS R1 d = 0.1 mg